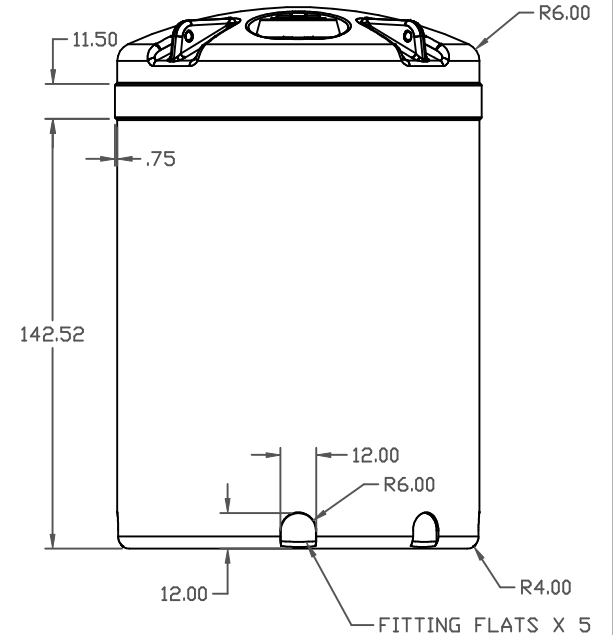
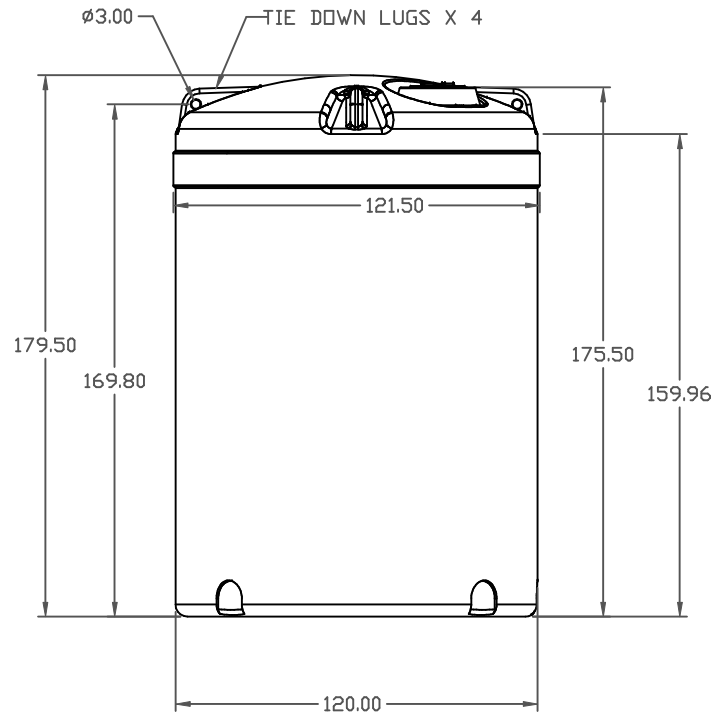
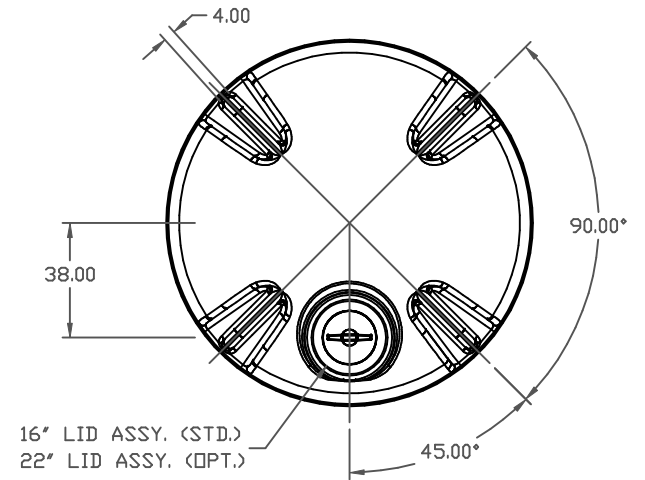
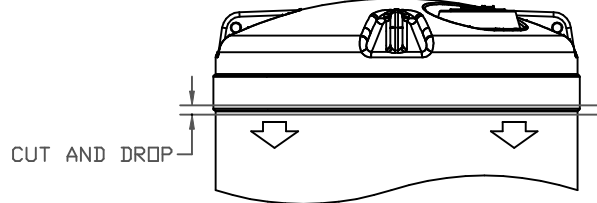
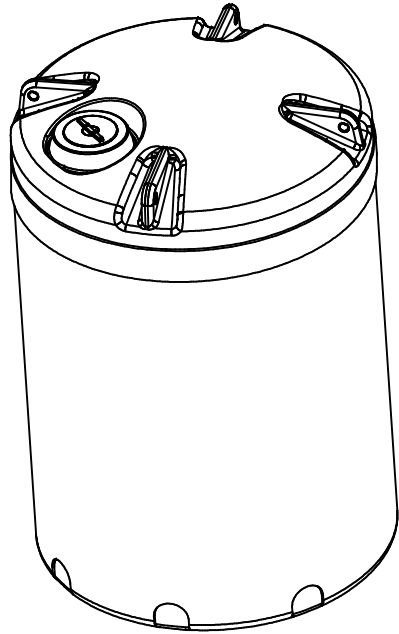


TANK MAY BE CONVERTED FOR A BOLT- ON TOP. CUT TANK AS SHOWN. TANK CAN THEN BE USED IN APPLICATIONS REQUIRING A REMOVEABLE TOP.

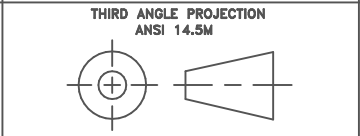


|     |               |          |               |
|-----|---------------|----------|---------------|
|     |               |          |               |
| A   | CHANGE PART # | 12/12/06 | APPRD. / DATE |
| REV | DESCRIPTION   | DATE     | APPRD         |

DRAWN / DATE  
DHJ 12/4/06

MATERIAL / SHOT WEIGHT  
1930 LBS.

ALL DIMENSIONS ARE IN DECIMAL INCHES  
TOLERANCES UNLESS OTHERWISE SPECIFIED  
+ .5% @ 68° F



NOTES:

**CSI**  
ChemIndustrial Systems, Inc.  
PO Box 500, Cedarburg, WI 53012  
262-375-8570 • (Fax) 262-375-8559 • info@chemindustrial.com

SCALE N.S.      PART NO.