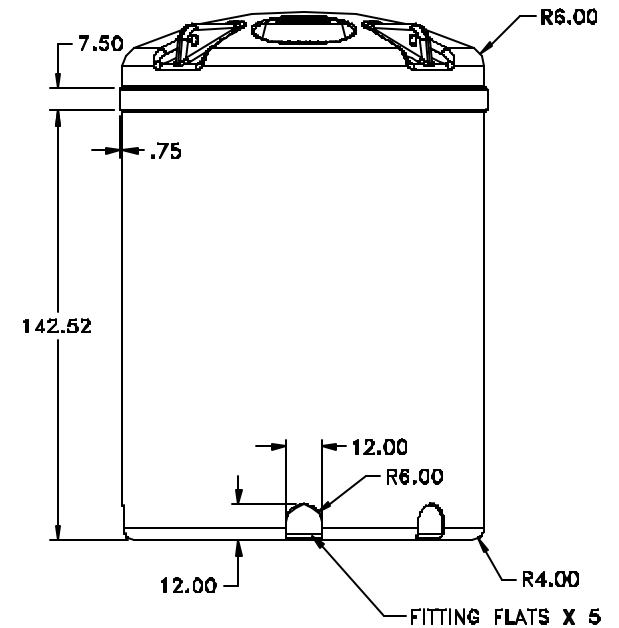
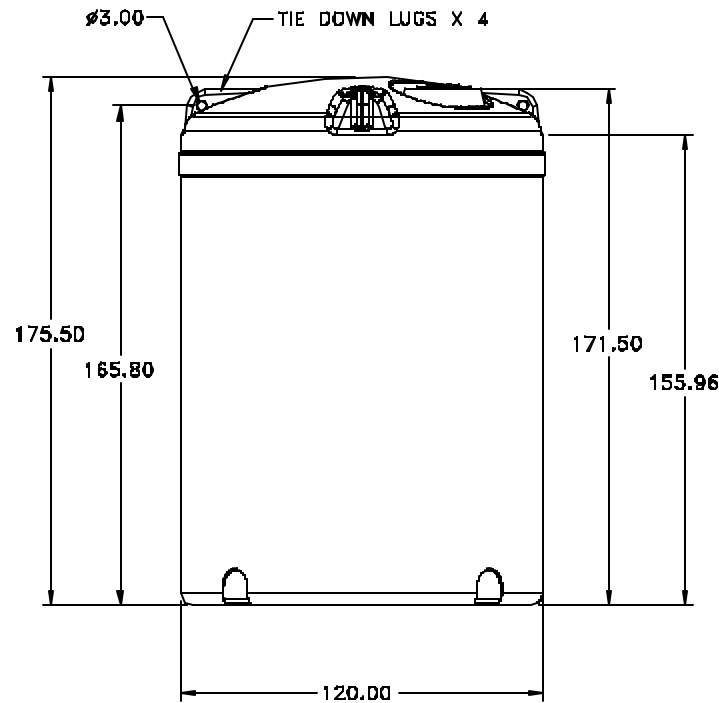
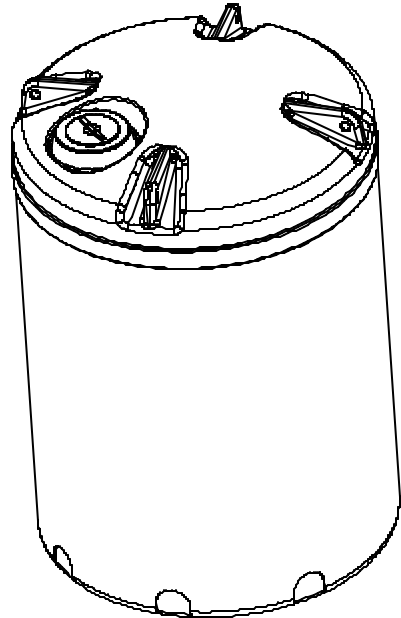
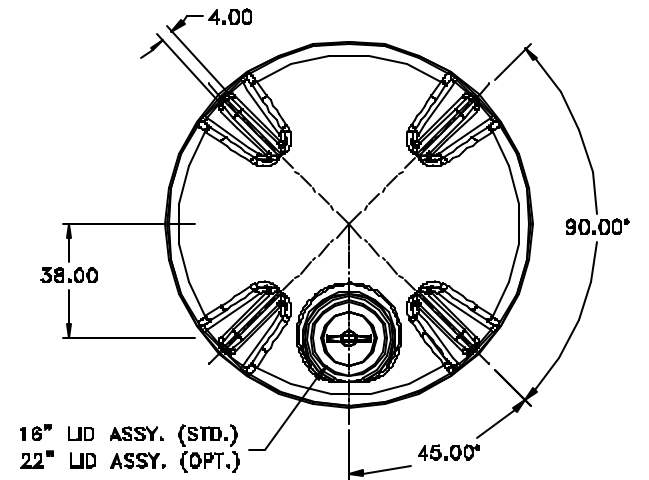
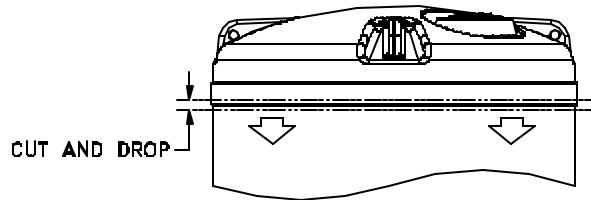


TANK MAY BE CONVERTED FOR A BOLT- ON TOP. CUT TANK AS SHOWN. TANK CAN THEN BE USED IN APPLICATIONS REQUIRING A REMOVEABLE TOP.



REV	DESCRIPTION	DATE	APPRD

DRAWN / DATE	REH/11/3/00
APPRD. / DATE	REH/11/3/00

MATERIAL / SHOT WEIGHT			
M111	M134	U625	P938
1900			

NOTES:

CSI
ChemIndustrial Systems, Inc.
PO Box 500, Cedarburg, WI 53012
262-375-8570 • (Fax) 262-375-8559 • info@chemindustrial.com

SCALE	N.S.	PART NO.
-------	------	----------

ALL DIMENSIONS ARE IN DECIMAL INCHES
TOLERANCES UNLESS OTHERWISE SPECIFIED
± .5% @ 68° F

