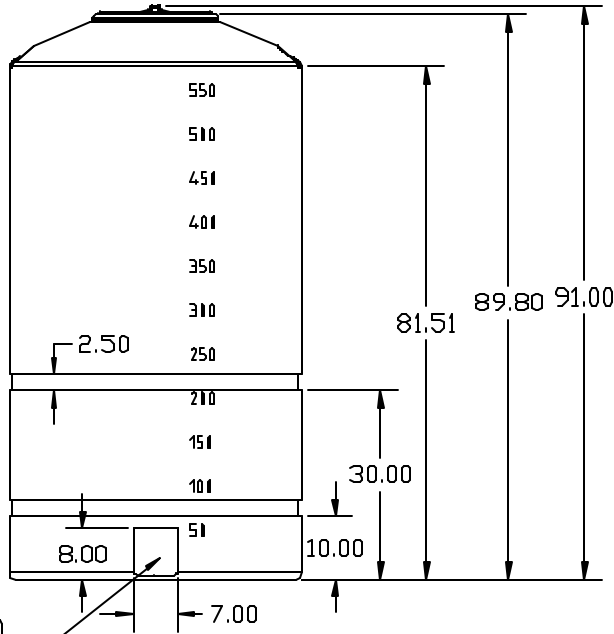


16" VENTED LID ASSEMBLY



2" STANDARD FITTING LOCATION

				DRAWN / DATE NVE 11/1/05	MATERIAL HDPE OR EQUIVALENT REFERENCE MATERIAL DATA SHEET FOR SPECIFIC PROPERTIES.
				APPRD. / DATE DHJ 11/1/15	
REV	DESCRIPTION	DATE	APPRD		
ALL DIMENSIONS ARE IN DECIMAL INCHES TOLERANCES UNLESS OTHERWISE SPECIFIED ± 1% @ 68° F				THIRD ANGLE PROJECTION ANSI 14.5M 	NOTES: 1. BLUE, GREEN, YELLOW, BLACK, AND WHITE COLOR 2. SHOT WEIGHT 131 LBS. 3. NDM WALL @ .231

CSI
ChemIndustrial Systems, Inc.
PO Box 500, Cedarburg, WI 53012
262-375-8570 • (Fax) 262-375-8559 • info@chemindustrial.com

SCALE N.S.	PART NO.
---------------	----------