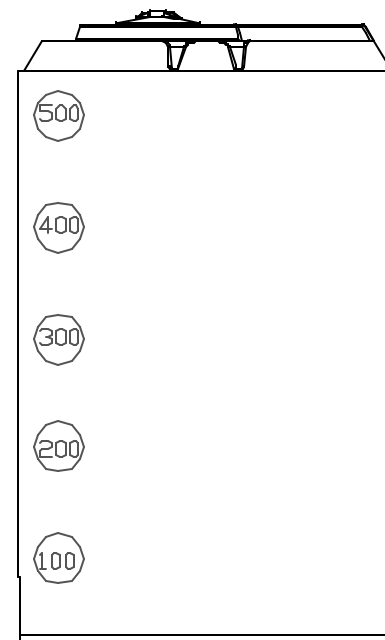
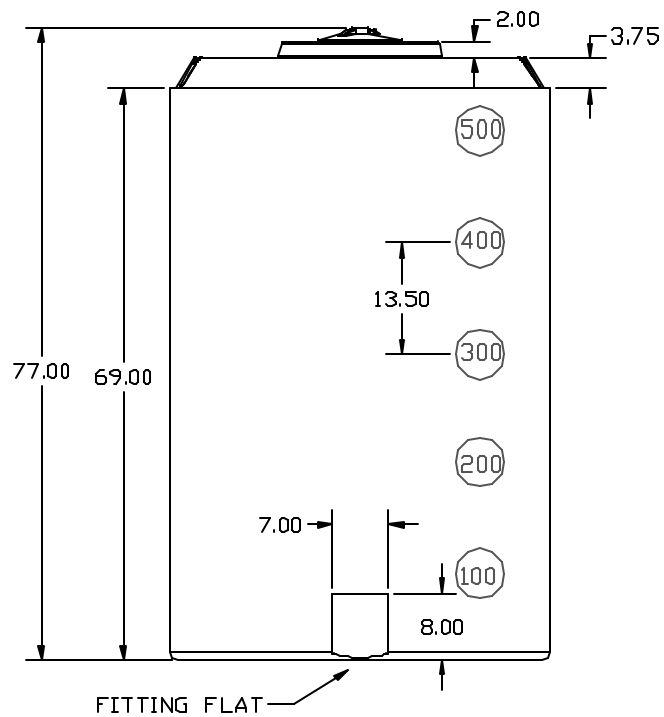
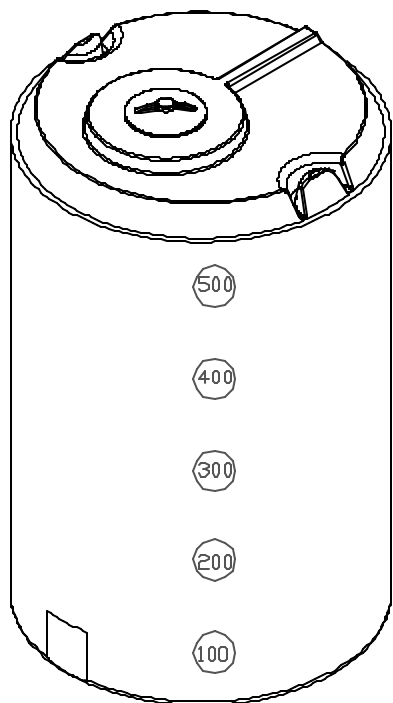
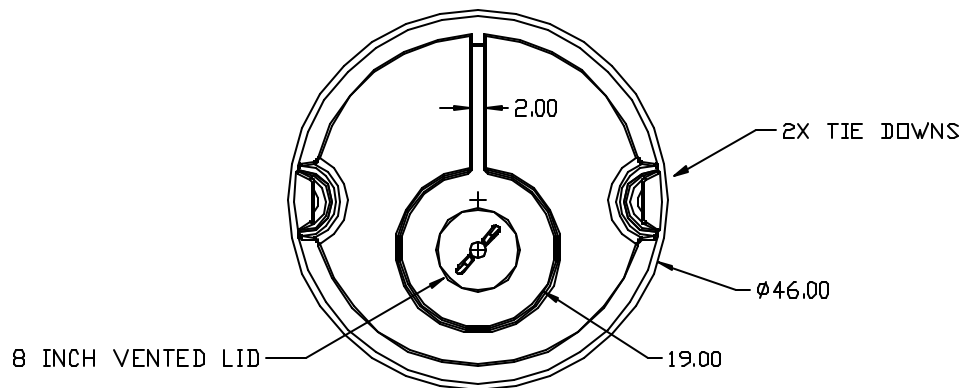


1. SPECIFIC GRAVITY IS 1.75
2. 1PIECE ROTATIONALLY MOLDED
3. TRANSLUCENT
4. FDA APPROVED RESIN
5. CALIBRATED IN GALLONS
6. UV STABILIZED
7. LARGER LID AVAILABLE



				DRAWN / DATE NVE 8/19/15	MATERIAL HDPE OR EQUIVALENT REFERENCE MATERIAL DATA SHEET FOR SPECIFIC PROPERTIES.
				APPRD. / DATE DHJ 9/21/15	
REV	DESCRIPTION	DATE	APPRD		
ALL DIMENSIONS ARE IN DECIMAL INCHES TOLERANCES UNLESS OTHERWISE SPECIFIED ± 1% @ 68° F				THIRD ANGLE PROJECTION ANSI 14.5	NOTES: 1. BLUE, GREEN, YELLOW, BLACK, OR WHITE COLOR 2. SHOT WEIGHT 118 LBS. 3. NDM. WALL @ .248

CSI
ChemIndustrial Systems, Inc.
PO Box 500, Cedarburg, WI 53012
262-375-8570 • (Fax) 262-375-8559 • info@chemindustrial.com

SCALE N.S. PART NO.