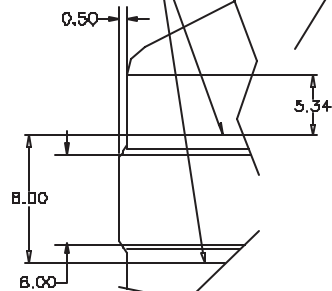
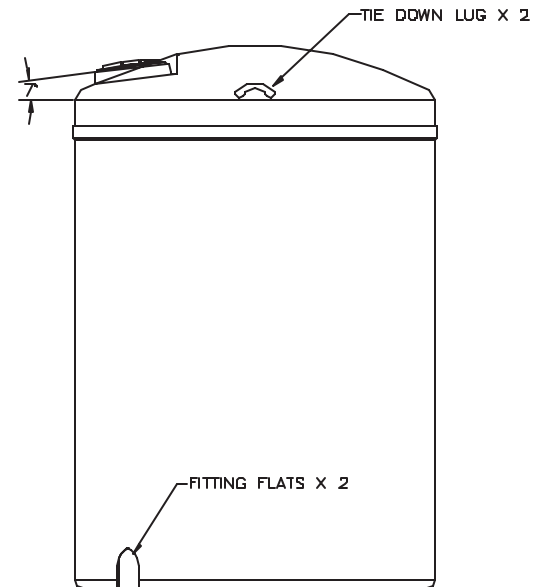
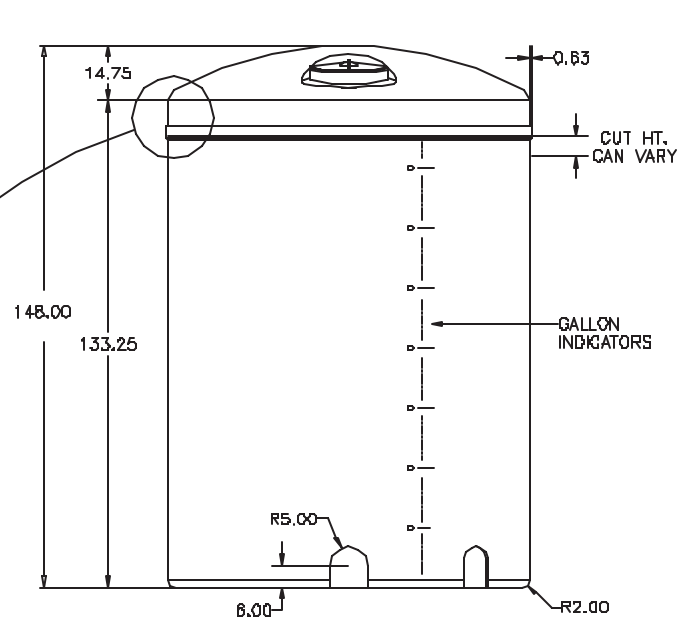


- FEATURES**
1. 1 PIECE ROTATIONALLY MOLDED CONSTRUCTION
 2. TRANSLUCENT COLORS
 3. FDA APPROVED RESIN
 4. UV STABILIZED
 5. CALIBRATED IN GALLONS

PLACE TANK FLANGES HERE



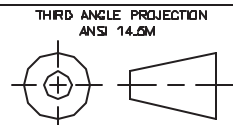
SCALE X 3



REV	DESCRIPTION	DATE	APPRD

DRAWN / DATE	REH/2/19/98
APPRD. / DATE	REH/2/19/98

ALL DIMENSIONS ARE IN DECIMAL INCHES
TOLERANCES UNLESS OTHERWISE SPECIFIED
± .5% @ 68° F



CSI
ChemIndustrial Systems, Inc.
PO Box 500, Cedarburg, WI 53012
262-375-8570 • (Fax) 262-375-8559 • info@chemindustrial.com

SCALE N.S. PART NO.