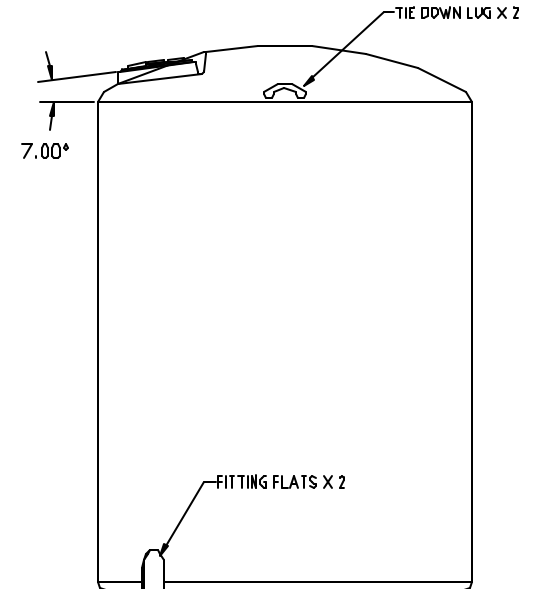
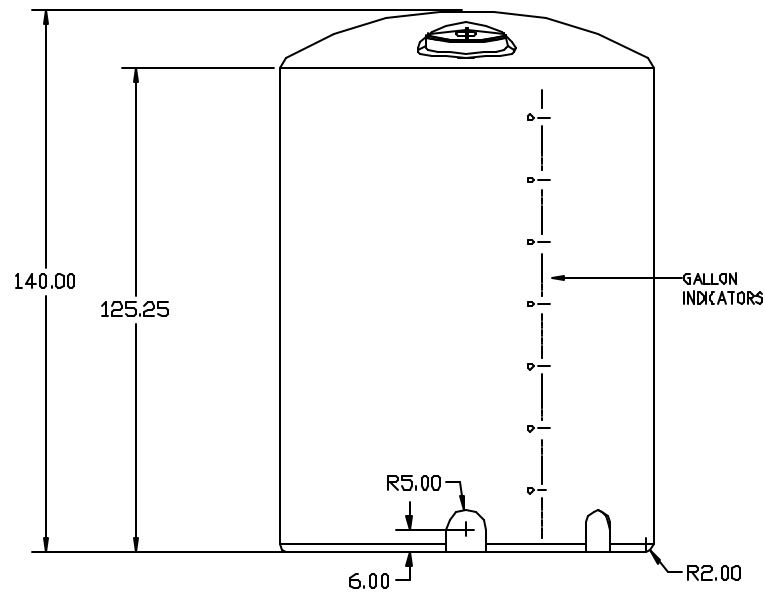
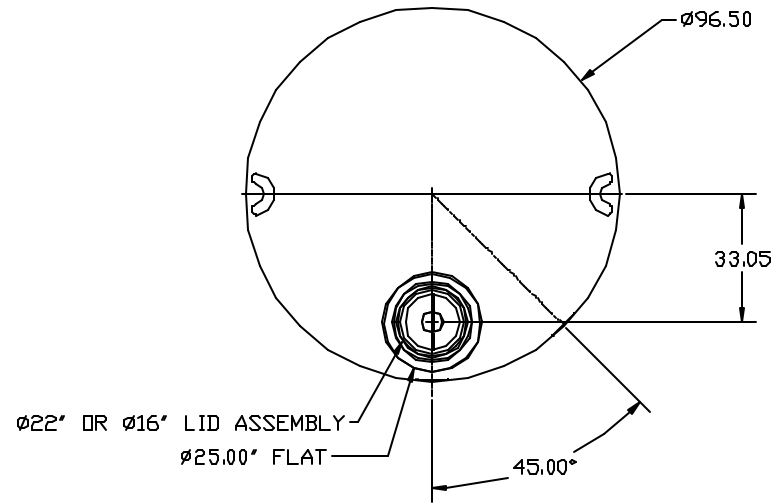


FEATURES

1. 1 PIECE ROTATIONALLY MOLDED CONSTRUCTION
2. TRANSLUCENT COLORS
3. FDA APPROVED RESIN
4. UV STABILIZED
5. CALIBRATED IN GALLONS

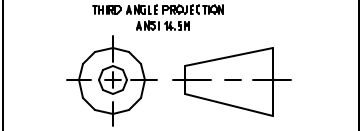


REV	DESCRIPTION	DATE	APPRD		

DRAWN / DATE	NVE 6/8/15
APPRD. / DATE	DHJ 6/21/15

MATERIAL	HDPE OR EQUIVALENT REFERENCE MATERIAL DATA SHEET FOR SPECIFIC PROPERTIES.
----------	---

ALL DIMENSIONS ARE IN DECIMAL INCHES
TOLERANCES UNLESS OTHERWISE SPECIFIED
± 1% @ 68° F



- NOTES:
1. .640 THCK AT FITTING
 2. WHITE OR COLDR
 3. SHOT WEIGHT 911 LBS.



ChemIndustrial Systems, Inc.
PO Box 500, Cedarburg, WI 53012
262-375-8570 • (Fax) 262-375-8559 • info@chemindustrial.com

SCALE	N.S.	PART NO.
-------	------	----------