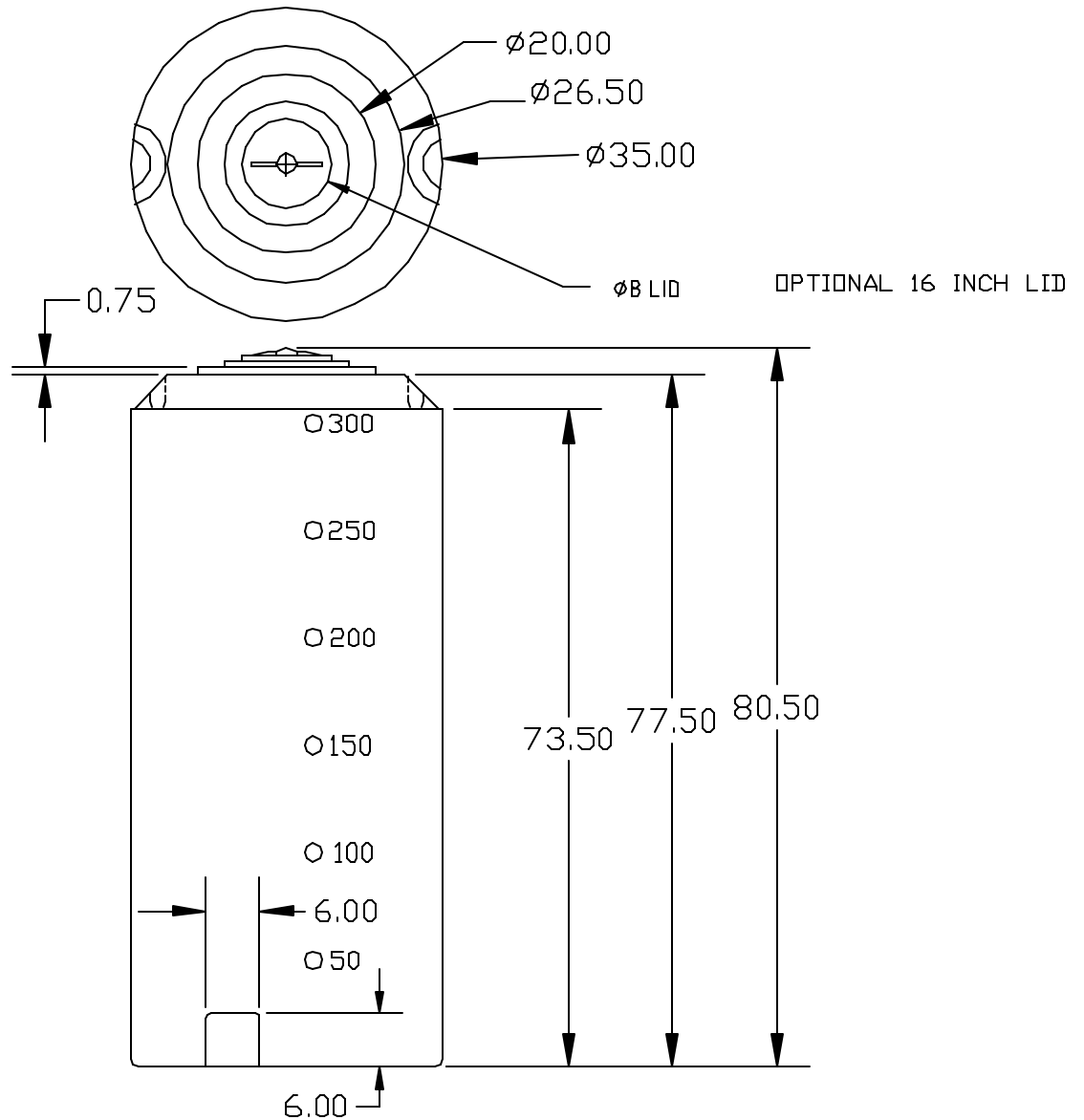


1. 1 PIECE ROTATIONALLY MOLDED
2. SPECIFIC GRAVITY 1.75
3. TRANSLUCENT
4. UV STABILIZED
5. FDA APPROVED RESIN
6. CALIBRATED IN GAL.
7. LARGER LID AVAILABLE



		DRAWN / DATE DHJ 12/11/93		MATERIAL		CSI ChemIndustrial Systems, Inc. PO Box 500, Cedarburg, WI 53012 262-375-8570 • (Fax) 262-375-8559 • info@chemindustrial.com	
A ADD TIE DOWNS		3-5-03		HDPE OR EQUIVALENT REFERENCE MATERIAL DATA SHEET FOR SPECIFIC PROPERTIES.			
REV	DESCRIPTION	DATE	APPRO	APPRD. / DATE		SCALE N.S.	
ALL DIMENSIONS ARE IN DECIMAL INCHES TOLERANCES UNLESS OTHERWISE SPECIFIED $\pm 1\% @ 68^\circ F$				THIRD ANGLE PROJECTION ANSI 1:5:1 		PART NO.	
				NOTES: 1. BLUE, GREEN, WHITE YELLOW, GREY, OR BLACK COLOR 2. SHOT WEIGHT 86 LBS. 3. .241 NOM. WALL			