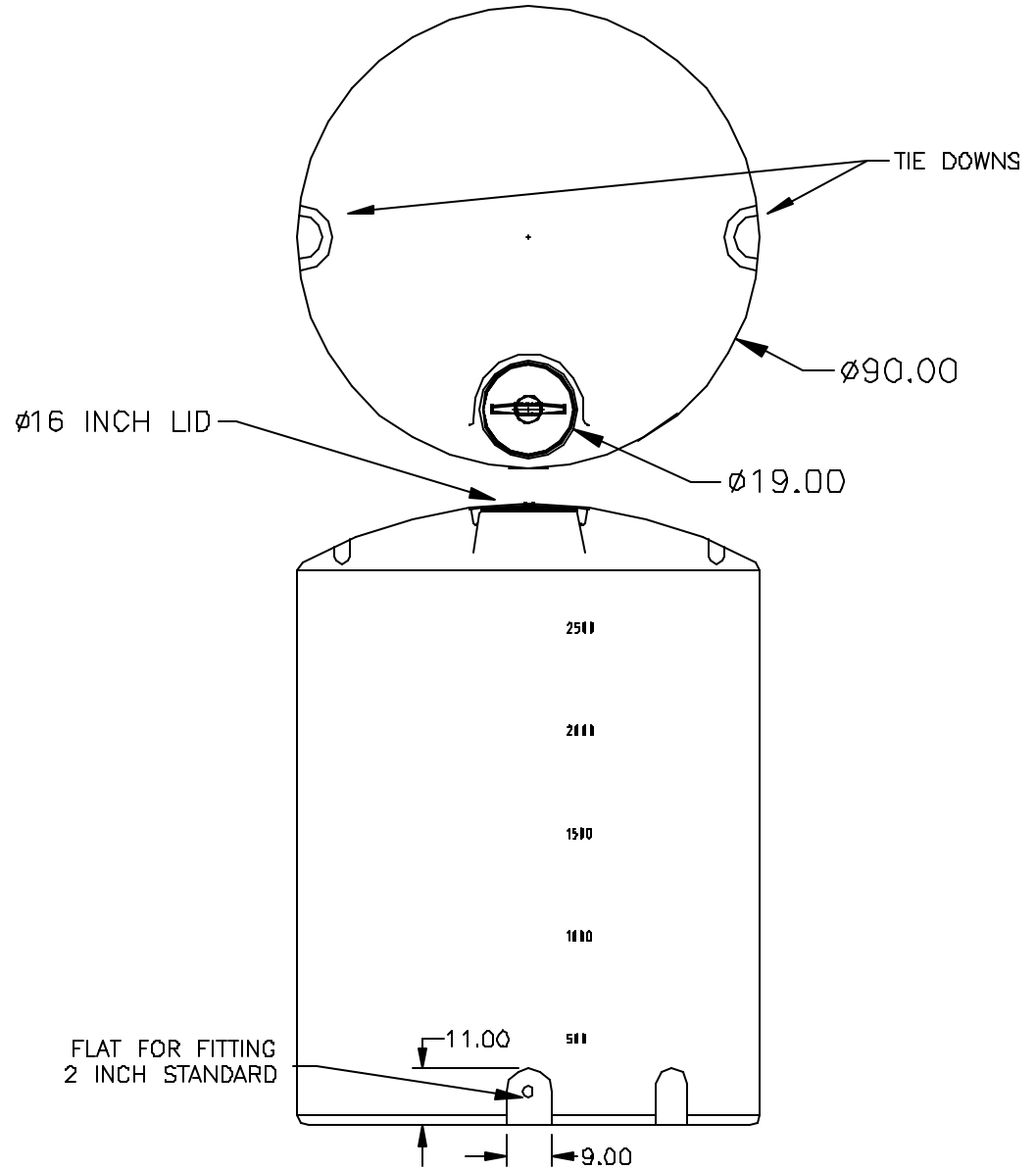
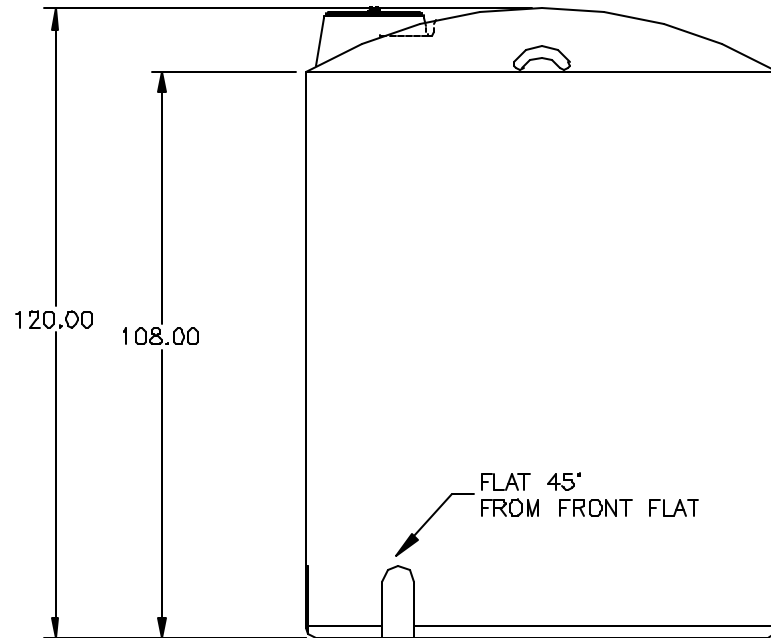



FEATURES

1. HEAVY DUTY POLYETHYLENE CONSTRUCTION
2. 1 PIECE ROTATIONALLY MOLDED
3. TRANSLUCENT
4. FDA APPROVED RESIN
5. CALIBRATED IN GALLONS
6. UV STABILIZED
7. SPECIFIC GRAVITY RATING IS 1.71



			DRAWN / DATE NVE 6/11/15		MATERIAL	
			APPRD. / DATE DHJ 6/21/15		HDPE OR EQUIVALENT REFERENCE MATERIAL DATA SHEET FOR SPECIFIC PROPERTIES.	
REV	DESCRIPTION	DATE	APPRD			
ALL DIMENSIONS ARE IN DECIMAL INCHES TOLERANCES UNLESS OTHERWISE SPECIFIED ± 1% @ 68° F				THIRD ANGLE PROJECTION ANSI 11.5-1		NOTES: 1. .491 THICK AT FITTING 2. BLUE, GREEN, YELLOW, BLACK, OR WHITE COLOR 3. SHOT WEIGHT 55# LBS.



ChemIndustrial Systems, Inc.
 PO Box 500, Cedarburg, WI 53012
 262-375-8570 • (Fax) 262-375-8559 • info@chemindustrial.com

SCALE N.S.	PART NO.
---------------	----------