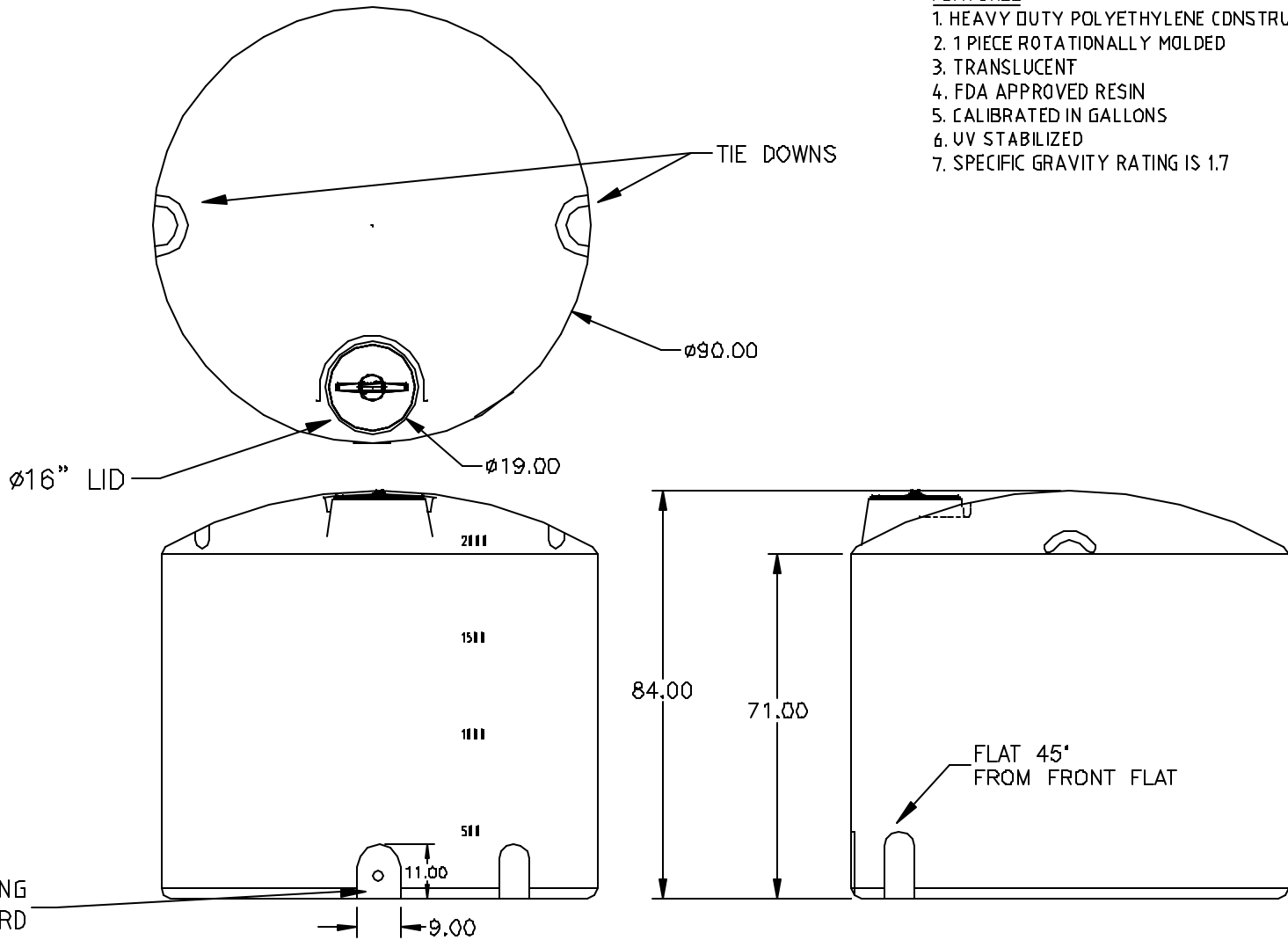


**FEATURES**

1. HEAVY DUTY POLYETHYLENE CONSTRUCTION
2. 1 PIECE ROTATIONALLY MOLDED
3. TRANSLUCENT
4. FDA APPROVED RESIN
5. CALIBRATED IN GALLONS
6. UV STABILIZED
7. SPECIFIC GRAVITY RATING IS 1.7



FLAT FOR FITTING  
2 INCH STANDARD

				DRAWN / DATE NVE 6/11/15	MATERIAL
				APPRD. / DATE DHJ 6/21/15	HDPE OR EQUIVALENT REFERENCE MATERIAL DATA SHEET FOR SPECIFIC PROPERTIES.
REV	DESCRIPTION	DATE	APPRD		
ALL DIMENSIONS ARE IN DECIMAL INCHES TOLERANCES UNLESS OTHERWISE SPECIFIED ± 1% @ 68° F				THIRD ANGLE PROJECTION ANSI 14.5M 	NOTES: 1. .351 THICK AT FITTING 2. WHITE, YELLOW, BLUE, OR BLACK COLOR 3. SHOT WEIGHT 375 LBS.

**CSI**  
ChemIndustrial Systems, Inc.  
PO Box 500, Cedarburg, WI 53012  
262-375-8570 • (Fax) 262-375-8559 • info@chemindustrial.com

SCALE N.S.	PART NO.
---------------	----------