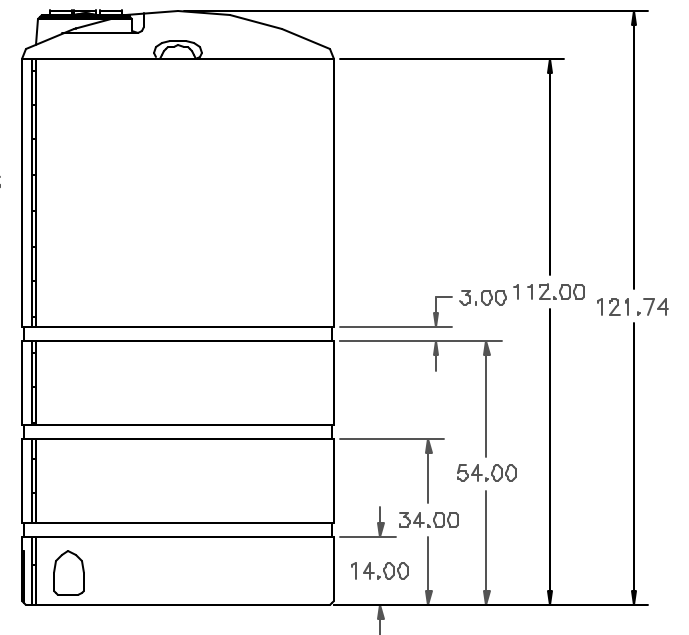
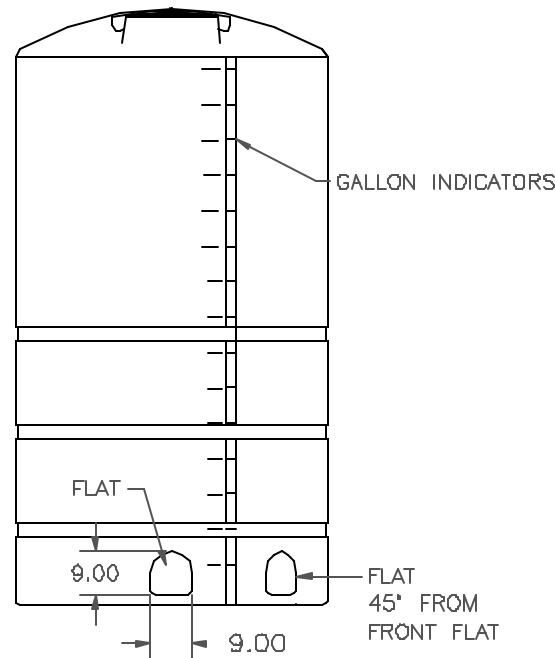


1. HEAVY DUTY POLYETHYLENE CONSTRUCTION
2. 1 PIECE ROTATIONALLY MOLDED
3. TRANSLUCENT
4. FDA APPROVED RESIN
5. CALIBRATED IN GALLONS
6. UV STABILIZED



			DRAWN / DATE DHJ/1/2/03	MATERIAL / SHOT WEIGHT	CSI ChemIndustrial Systems, Inc. PO Box 500, Cedarburg, WI 53012 262-375-8570 • (Fax) 262-375-8559 • info@chemindustrial.com	
			APPRD. / DATE	350 LBS.		
REV	DESCRIPTION	DATE APPRD.			SCALE	PART NO.
	ALL DIMENSIONS ARE IN DECIMAL INCHES TOLERANCES UNLESS OTHERWISE SPECIFIED $\pm 1\%$ @ 68° F		THIRD ANGLE PROJECTION ANSI 14.5M 	NOTES: 1.NOM. WALL .340	N.S	