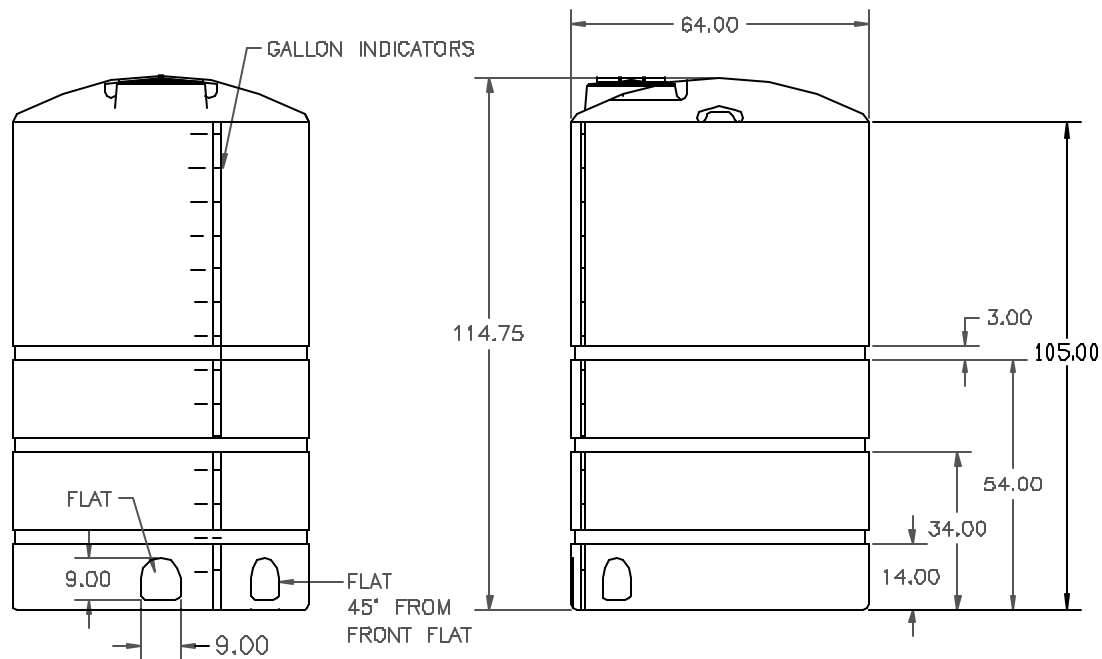


1. HEAVY DUTY POLYETHYLENE CONSTRUCTION
2. 1 PIECE ROTATIONALLY MOLDED
3. TRANSLUCENT
4. FDA APPROVED RESIN
5. CALIBRATED IN GALLONS
6. UV STABILIZED



		DRAWN / DATE		MATERIAL		<p style="text-align: center;">CSI</p> <p style="text-align: center;">ChemIndustrial Systems, Inc.</p> <p style="text-align: center;">PO Box 500, Cedarburg, WI 53012</p> <p style="text-align: center;">262-375-8570 • (Fax) 262-375-8559 • info@chemindustrial.com</p>	
		DHJ 11/12/13		HDPE OR EQUIVALENT REFERENCE MATERIAL DATA SHEET FOR SPECIFIC PROPERTIES.			
		APPRD. / DATE					
REV	DESCRIPTION	DATE	APPRD.	THIRD ANGLE PROJECTION ANSI X1.9M		NOTES:	SCALE
						<ol style="list-style-type: none"> 1. BLUE, YELLOW, WHITE, OR BLACK COLOR 2. SHOT WEIGHT 335 LBS. 3. NOM. WALL .341 	N.S.
ALL DIMENSIONS ARE IN DECIMAL INCHES TOLERANCES UNLESS OTHERWISE SPECIFIED $\pm 1\% @ 68^\circ F$							PART NO.