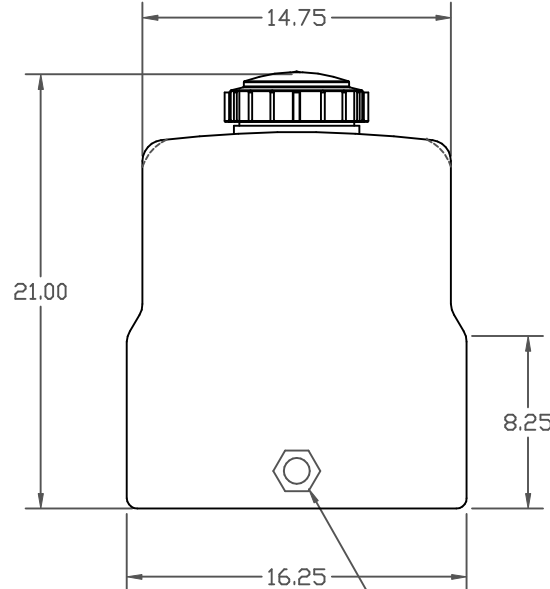
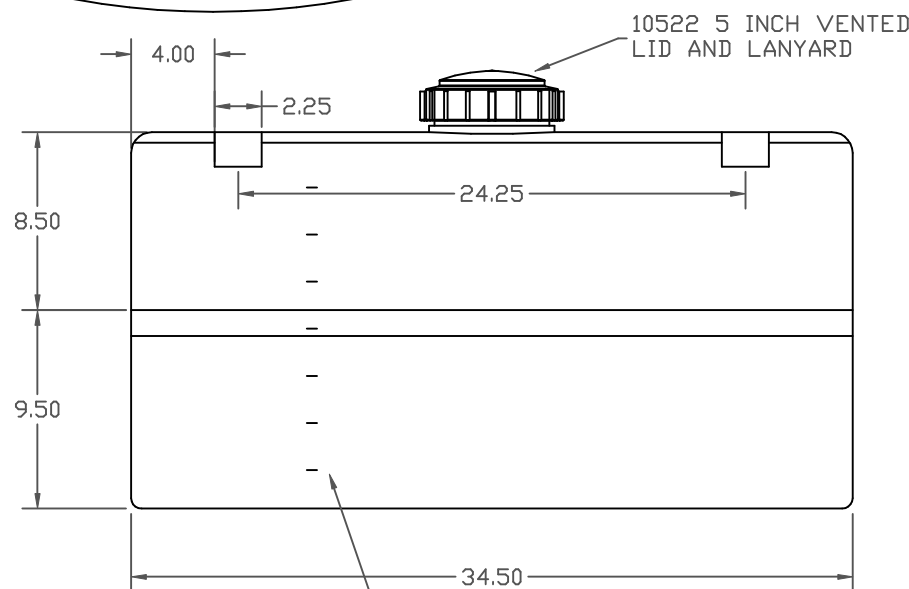



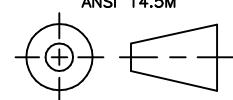
OPTIONAL BANDS
2 REQUIRED
PN PC0035-SB
3 LB PER PAIR



1" B.H. FITTING IS STANDARD



MARKED IN GALLONS AND LITERS

				DRAWN / DATE DHJ 5/3/05	MATERIAL TANK: HDPE OR EQUIVALENT BAND: 18GA STAINLESS STEEL	 ChemIndustrial Systems, Inc. PO Box 500, Cedarburg, WI 53012 262-375-8570 • (Fax) 262-375-8559 • info@chemindustrial.com
B	BAND REDRAWN	8/2/06	NVE	APPRD. / DATE		
A	ADD BANDS	5/3/05				
REV	DESCRIPTION	DATE	APPRD		NOTES: 1. TANK NOM. WALL ϕ 0.250 2. TANK SHOT WEIGHT 24 LBS.	SCALE N.S.
ALL DIMENSIONS ARE IN DECIMAL INCHES TOLERANCES UNLESS OTHERWISE SPECIFIED $\pm 1\% \phi 68^\circ F$				THIRD ANGLE PROJECTION ANSI 14.5M 	PART NO. TR35GAL-35L	