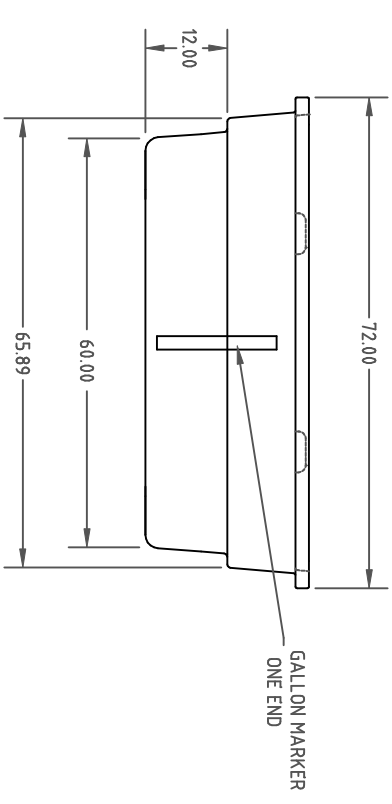
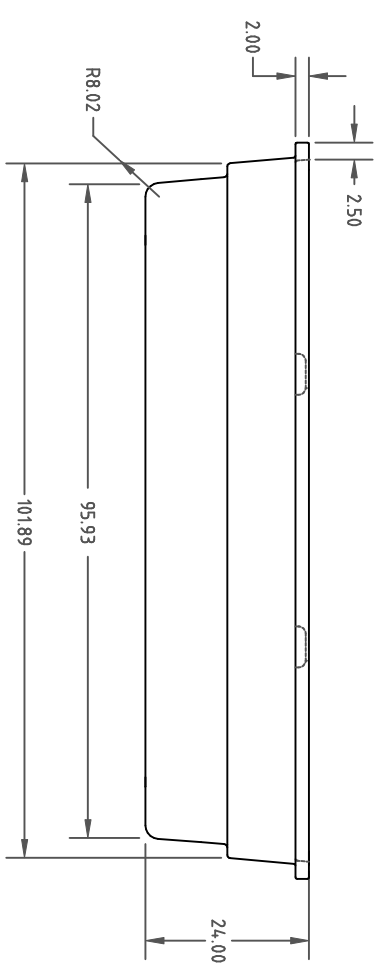
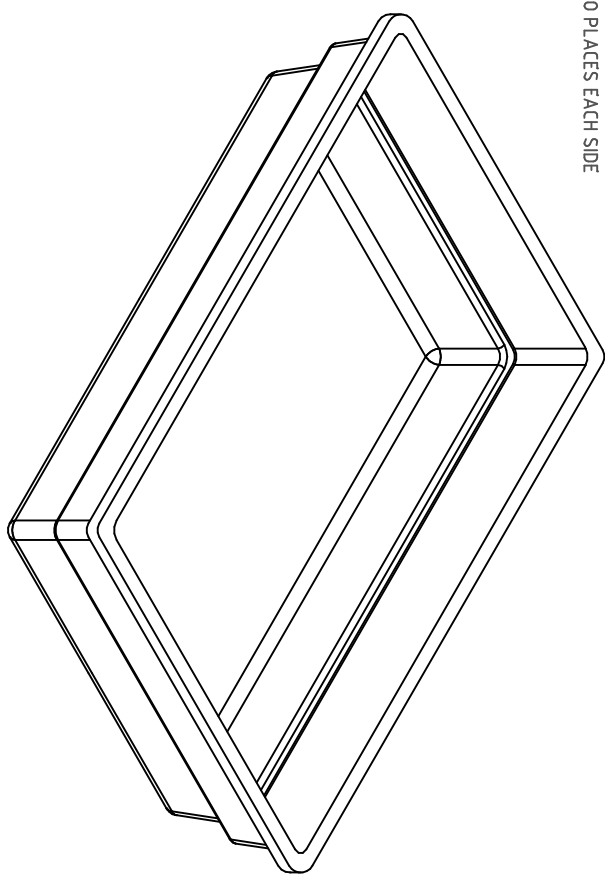


HAND HOLDS UNDER RIM
TWO PLACES EACH SIDE



REV	DESCRIPTION	DATE APPRD.	CCN	DRAWN /DATE DHJ 2/5/08	APPRD. /DATE REF 6/25/08	MATERIAL	NOTES:
						SHOT WEIGHT = 14.5 LBS. = .25 WALL 10538 2 MELT NATURAL RESIN	
				THIRD ANGLE PROJECTION ANSI 14.5M			

CSI
ChemIndustrial Systems, Inc.
PO Box 500, Cedarburg, WI 53012
262-375-8570 • (Fax) 262-375-8559 • info@chemindustrial.com

SCALE NONE
PART NO. TOP625GAL-PE-RT

ALL DIMENSIONS ARE IN DECIMAL INCHES
TOLERANCES UNLESS OTHERWISE SPECIFIED

± 1 % @ 68°F