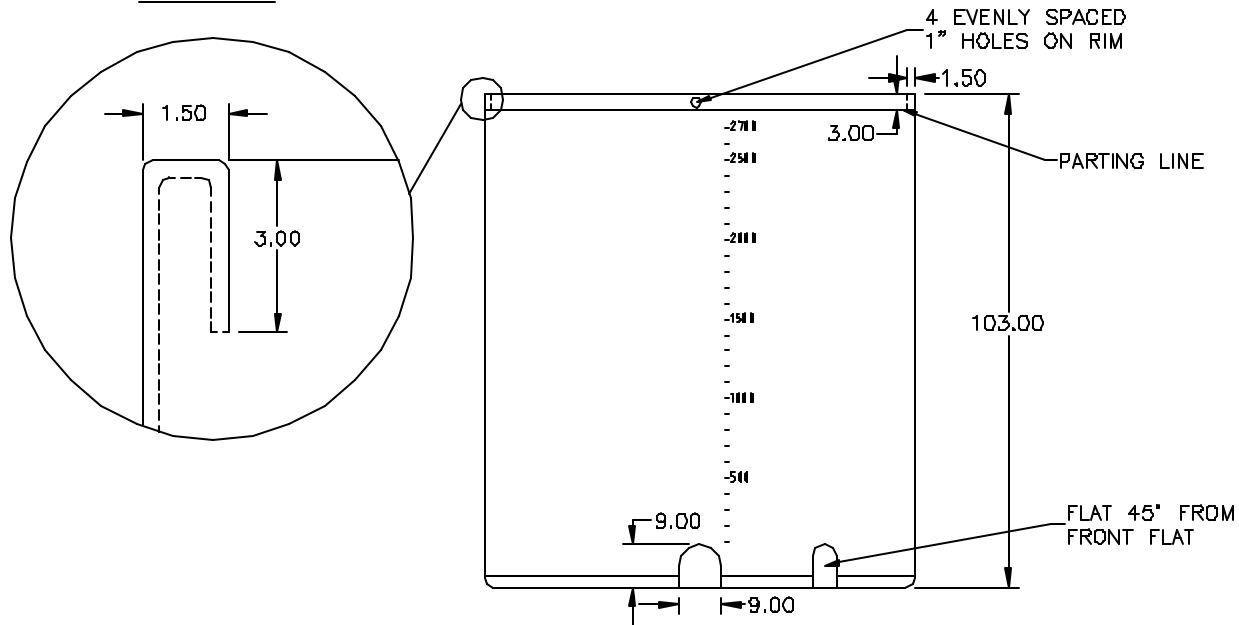


DETAIL OF RIM



REV	DESCRIPTION	DATE	APPRD		

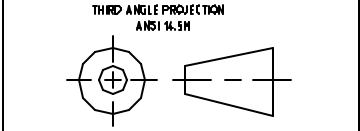
DRAWN / DATE  
NVE 6/13/15

APPRD. / DATE  
DHJ 6/22/15

MATERIAL  
HDPE OR EQUIVALENT  
REFERENCE MATERIAL DATA SHEET  
FOR SPECIFIC PROPERTIES.

**CSI**  
ChemIndustrial Systems, Inc.  
PO Box 500, Cedarburg, WI 53012  
262-375-8570 • (Fax) 262-375-8559 • info@chemindustrial.com

ALL DIMENSIONS ARE IN DECIMAL INCHES  
TOLERANCES UNLESS OTHERWISE SPECIFIED  
± 1% @ 68° F



NOTES:  
1. .490 WALL THICKNESS AT FLAT  
2. WHITE OR COLDR  
3. SHOT WEIGHT 4.81 LBS.

SCALE  
N.S.

PART NO.