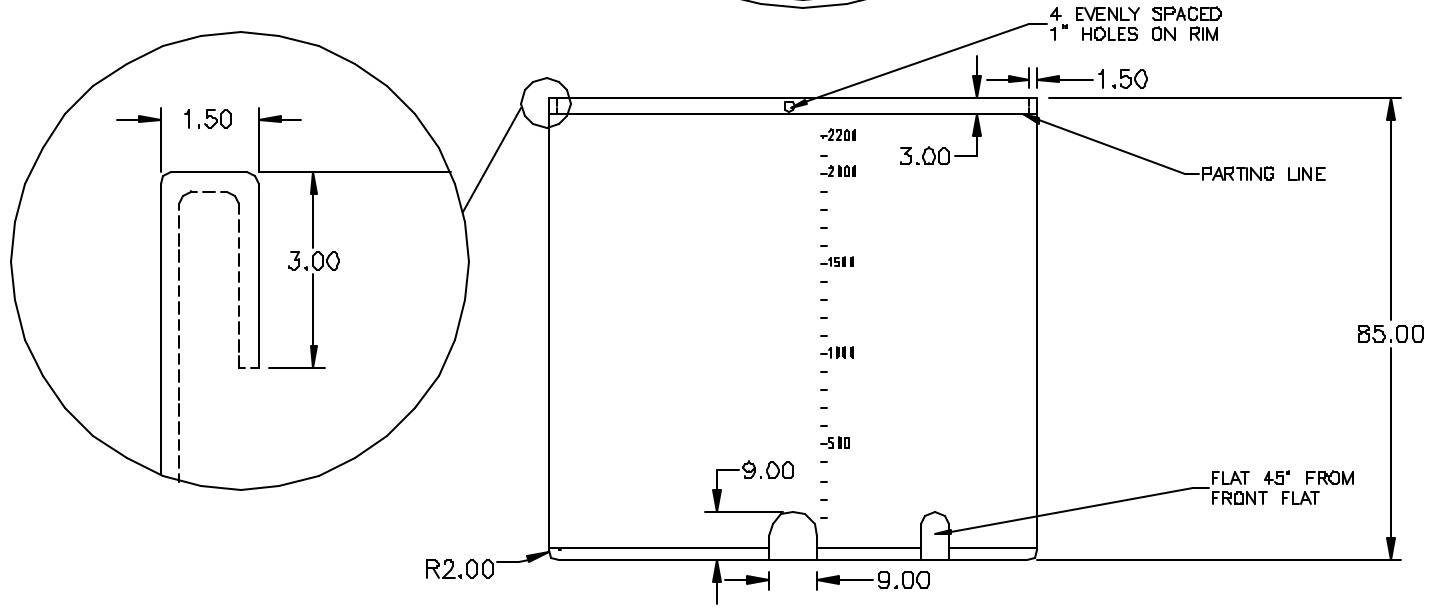


DETAIL OF RIM



REV	DESCRIPTION	DATE	APPRD

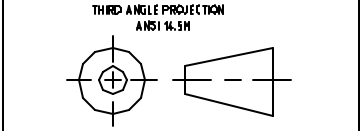
DRAWN / DATE  
NVE 6/13/15

APPRD. / DATE  
DHJ 6/22/15

MATERIAL  
HDPE OR EQUIVALENT  
REFERENCE MATERIAL DATA SHEET  
FOR SPECIFIC PROPERTIES.

**CSI**  
ChemIndustrial Systems, Inc.  
PO Box 500, Cedarburg, WI 53012  
262-375-8570 • (Fax) 262-375-8559 • info@chemindustrial.com

ALL DIMENSIONS ARE IN DECIMAL INCHES  
TOLERANCES UNLESS OTHERWISE SPECIFIED  
 $\pm 1\%$  @ 68° F



NOTES:  
1. 1.410 THICK AT FLAT  
2. WHITE OR COLOR  
3. SHOT WEIGHT 365 LBS.

SCALE N.S.

PART NO.