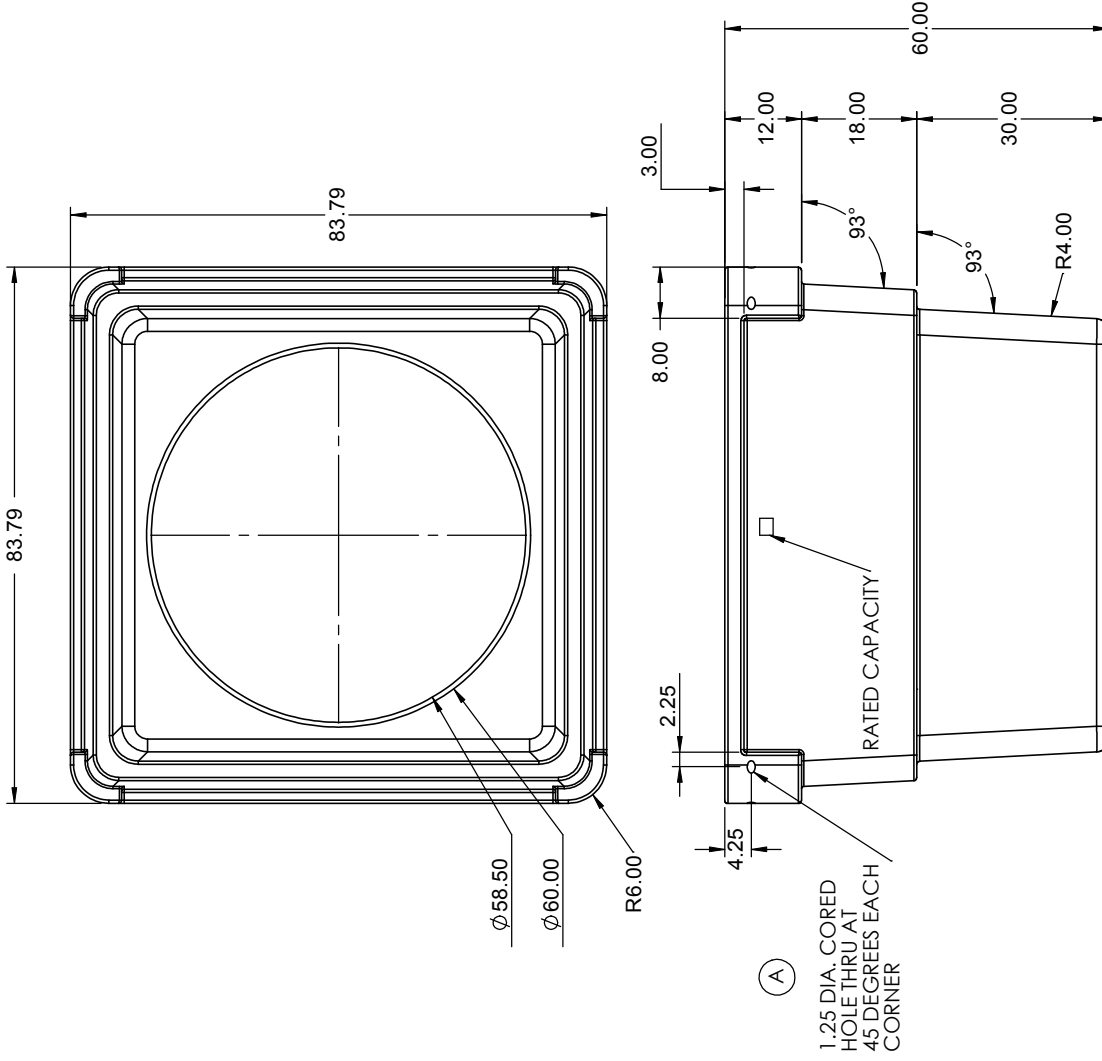


TOP1325GAL-PE-RT



STACK 5 HIGH UPSIDE DOWN FOR STORAGE



ChemIndustrial Systems, Inc.
 PO Box 500, Cedarburg, WI 53012
 262-375-8570 • (Fax) 262-375-8559 • info@chemindustrial.com

DESCRIPTION		1325 GALLON CONTAINMENT TANK	
SCALE		PART NO. TOP1325GAL-PE-RT	
MATERIAL		10538 POWDER	
DRAWN / DATE		ADH 6/25/08	
APPRD. / DATE		REH 7/1/08	
BY / DATE		CCN	
DESCRIPTION		ADDED CORNER HOLES	
ALL DIMENSIONS ARE IN DECIMAL INCHES TOLERANCES UNLESS OTHERWISE SPECIFIED		REH 1/5/09 1775	
POLYETHYLENE		ANSI 14.5M	
±1% @ 68°F		SHIPPING WEIGHT: 360 LB.	
METAL		FINISH: BEAD BLAST	
DECIMAL ± .125"		SHOT WEIGHT: 375 LB.	
FRACTION ± 1/4"		SHIPPING WEIGHT: 360 LB.	
ANGLE ± 1°		FINISH: BEAD BLAST	