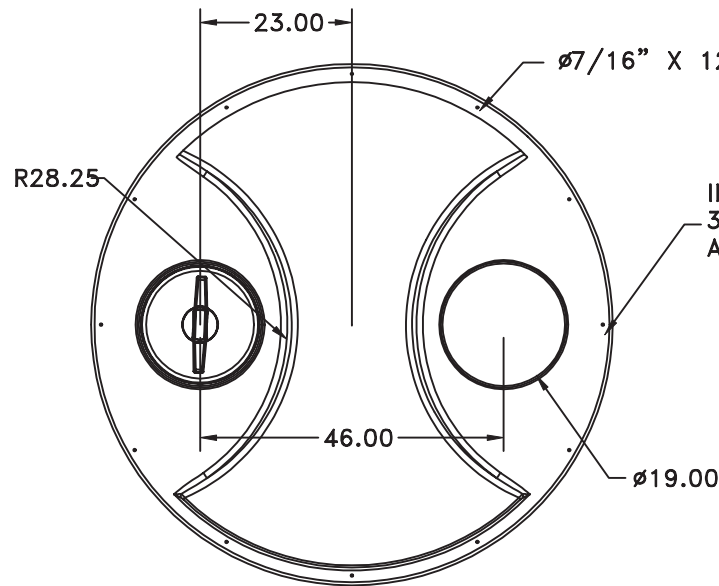
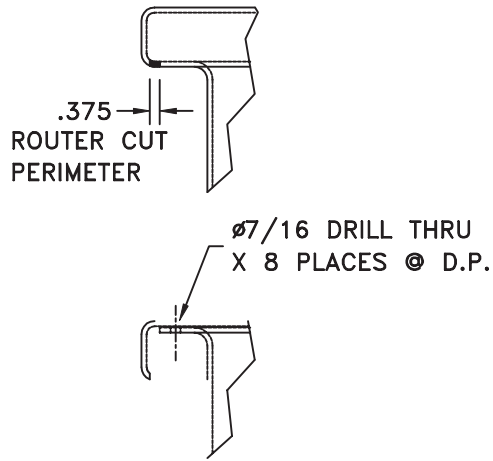
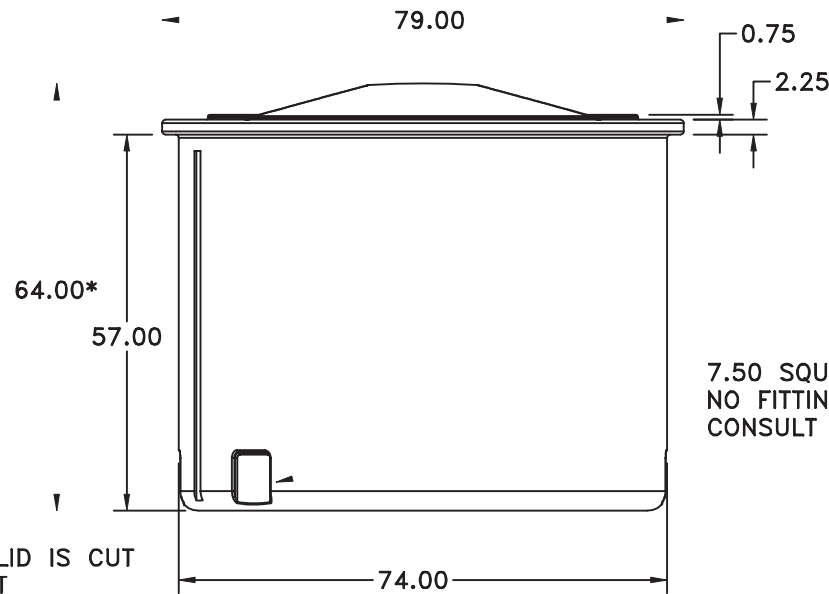
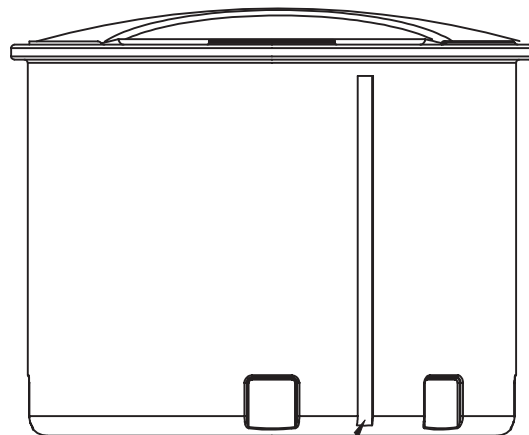
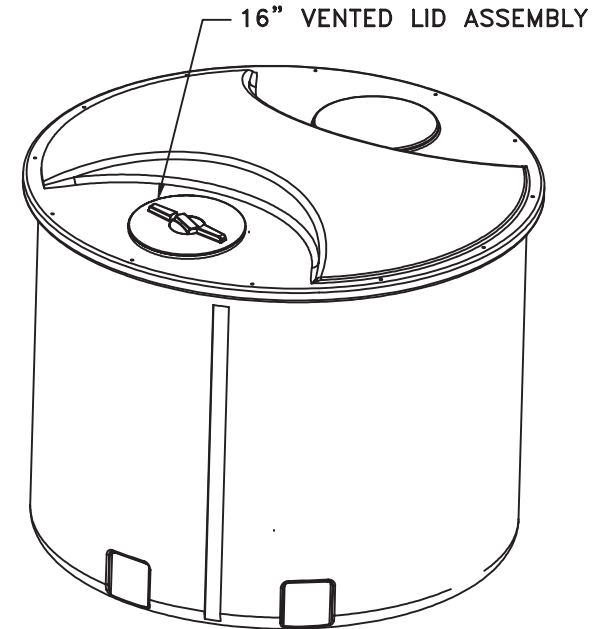


LID CUT AND DROP DETAIL



IF LID IS TO BE RE-ATTACHED, USE 3/8-16 X 1-1/4 HEX BOLT, 2 FLATWASHERS, AND HEX NUT AT EACH OF 12 HOLES

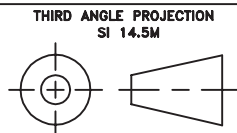


7.50 SQUARE FITTING SUMP 2 PLACES
NO FITTING IS FURNISHED WITH STANDARD TANK.
CONSULT FACTORY REGARDING FITTING OPTIONS.

*HT. AFTER LID IS CUT AND DROPPET

			DRAWN / DATE REH/9/18/00	ATERIAL / SHOT WEIGHT			
			APPRD. / DATE REH/9/18/00	M111	M134	U625	P938
REV	DESCRIPTION	DATE	APPRD	21			

ALL DIMENSIONS ARE IN DECIMAL INCHES
TOLERANCES UNLESS OTHERWISE SPECIFIED
± .5% @ 68° F



NOTES:
1. .280 NOMINAL WALL

CSI

ChemIndustrial Systems, Inc.
PO Box 500, Cedarburg, WI 53012

262-375-8570 • (Fax) 262-375-8559 • info@chemindustrial.com