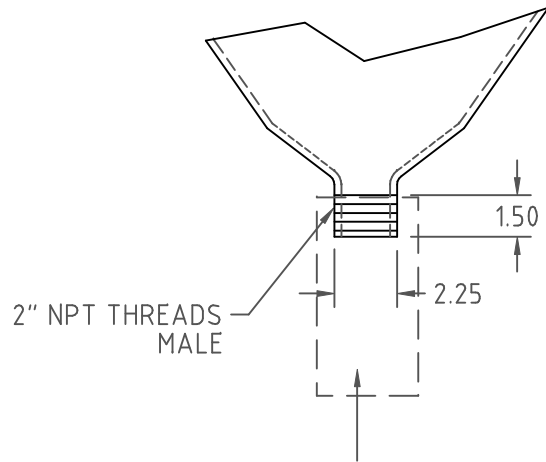
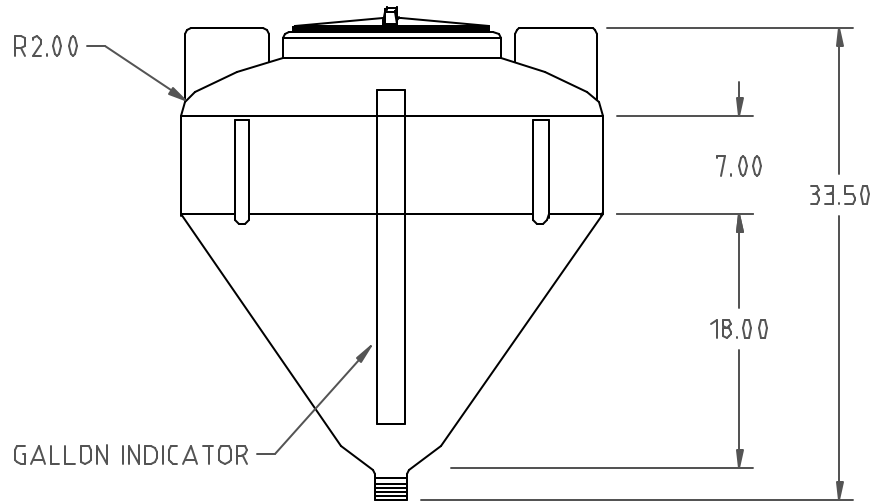
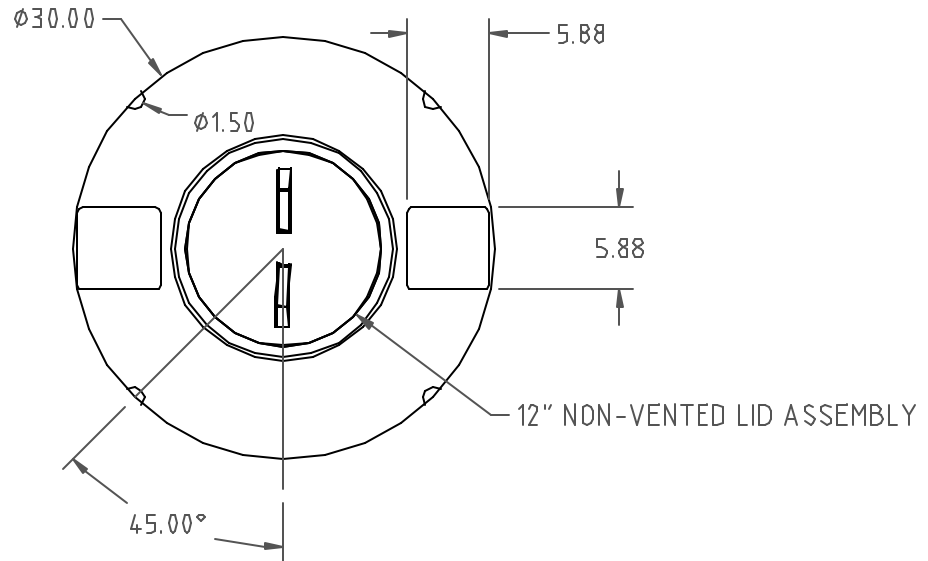


OUTLET DETAIL



NOTE: FITTINGS, VALVES AND PIPE CONNECTED TO THE OUTLET THREADS MUST BE SUPPORTED.



			DRAWN / DATE REH / 8/7/02	MATERIAL
A	CHANGE BOTTOM OUTLET	7/20/04	APPRD. / DATE REH / 8/7/02	26 LB. MOBIL 134
REV	DESCRIPTION	DATE APPRD		
ALL DIMENSIONS ARE IN DECIMAL INCHES TOLERANCES UNLESS OTHERWISE SPECIFIED $\pm .5\% \text{ @ } 68^\circ \text{ F}$			THIRD ANGLE PROJECTION ANSI 14.3M 	NOTES: 1. NATURAL COLOR 2. NOM. WALL .190

CSI
 ChemIndustrial Systems, Inc.
 PO Box 500, Cedarburg, WI 53012
 262-375-8570 • (Fax) 262-375-8559 • info@chemindustrial.com

SCALE N.S. PART NO.