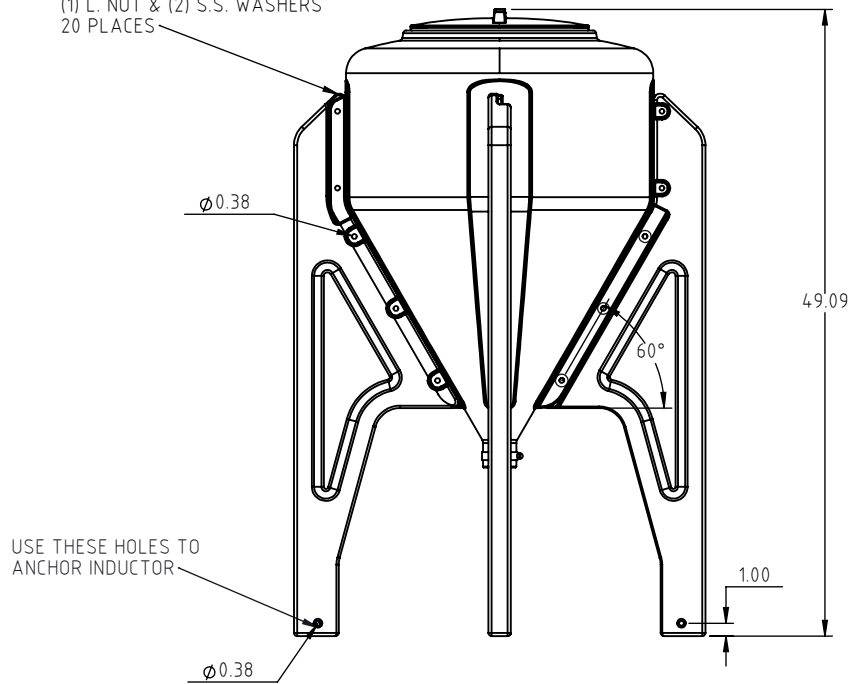
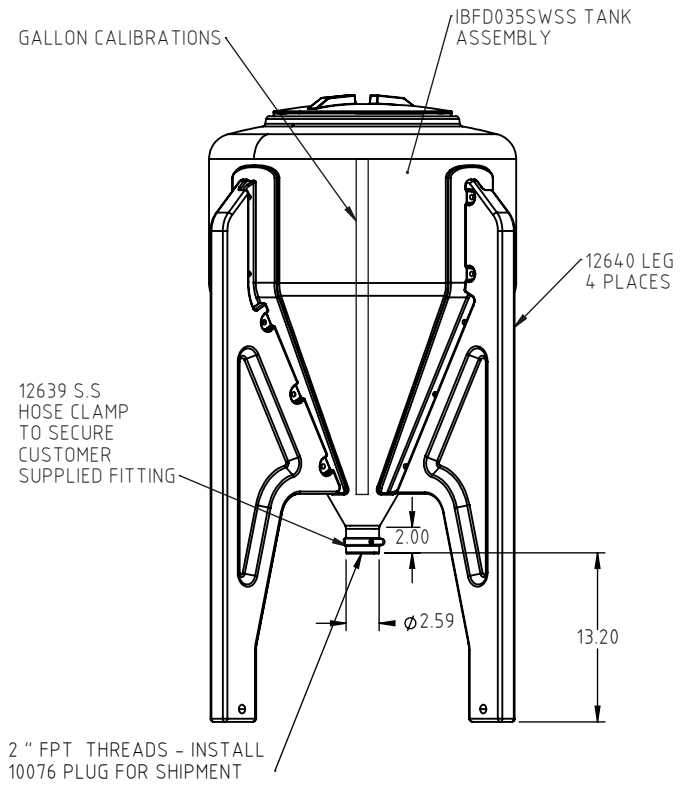


HARDWARE BAG 12641
 (1) 5/16" X 1 1/4" S.S. BOLT,
 (1) L. NUT & (2) S.S. WASHERS
 20 PLACES



USE THESE HOLES TO
 ANCHOR INDUCTOR



2" FPT THREADS - INSTALL
 10076 PLUG FOR SHIPMENT

DRAWN / DATE MATERIAL

ADH 8/25/08

APPRD. / DATE

REH 6/11/09

SHOT WEIGHT: NOTES:

SHIPPING WEIGHT:

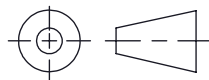
FINISH:

REV DESCRIPTION

BY / DATE CCN

ALL DIMENSIONS ARE IN DECIMAL INCHES
 TOLERANCES UNLESS OTHERWISE SPECIFIED
POLYETHYLENE
 METAL
 DECIMAL ± .125"
 FRACTION ± 1/4"
 ANGLE ± 1°
 ±1% @ 68° F

THIRD ANGLE PROJECTION
 ANSI 14.5M





ChemIndustrial Systems, Inc.
 PO Box 500, Cedarburg, WI 53012
 262-375-8570 • (Fax) 262-375-8559 • info@chemindustrial.com

DESCRIPTION 35 GALLON BLOW MOLDED INDUCTOR AND LEGS
 SCALE N.S. PART NO. TCB35GAL-PE-24DIA-IBFD