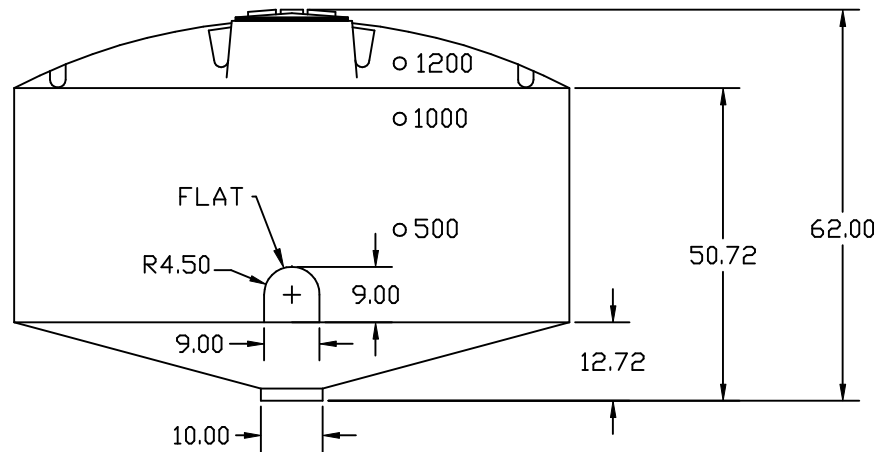
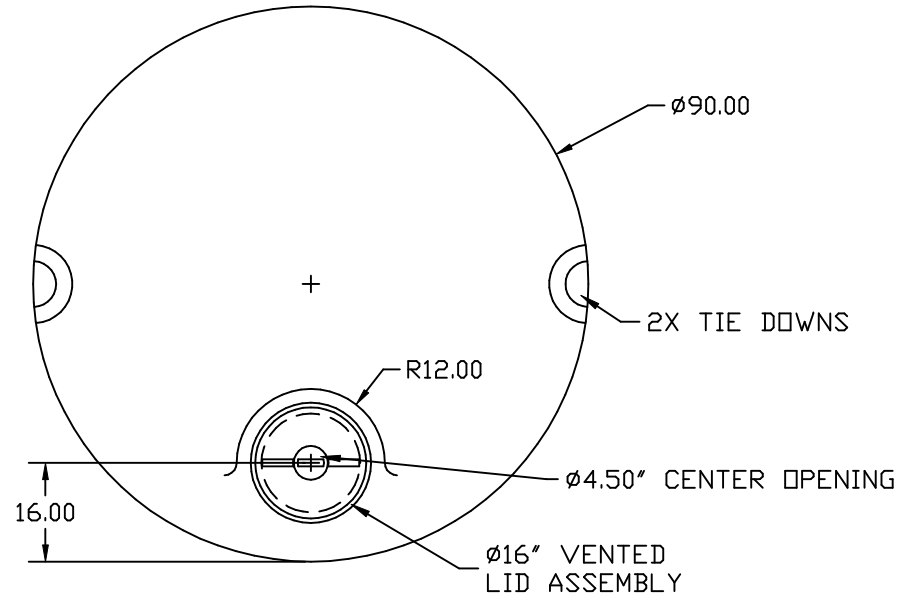


1. SPECIFIC GRAVITY IS 1.75
2. 1 PIECE ROTATIONALLY MOLDED
3. TRANSLUCENT
4. FDA APPROVED RESIN
5. CALIBRATED IN GALLONS
6. UV STABILIZED
7. MIXER OR PUMP MOUNT ON REQUEST



				DRAWN / DATE DHJ 3/2/95
A	ISOLATED TANK FROM STAND	5/23/06	NVE	APPRD. / DATE
REV	DESCRIPTION	DATE	APPRD	

MATERIAL
HDPE OR EQUIVALENT
REFERENCE MATERIAL DATA SHEET
FOR SPECIFIC PROPERTIES.

NOTES:
1. WHITE OR YELLOW TANK COLOR
2. SHOT WEIGHT 240 LBS.

CSI
ChemIndustrial Systems, Inc.
PO Box 500, Cedarburg, WI 53012
262-375-8570 • (Fax) 262-375-8559 • info@chemindustrial.com

SCALE N.S.	PART NO.
---------------	----------

ALL DIMENSIONS ARE IN DECIMAL INCHES
TOLERANCES UNLESS OTHERWISE SPECIFIED
± 1% @ 68° F

