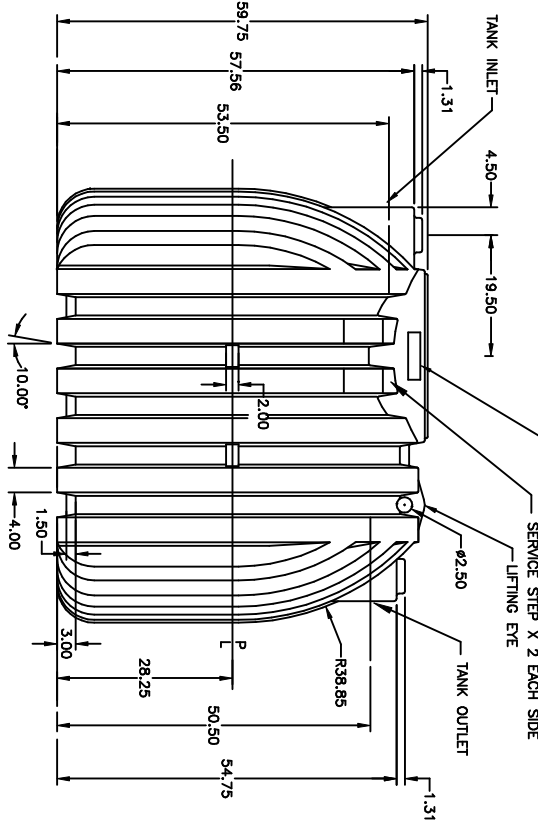
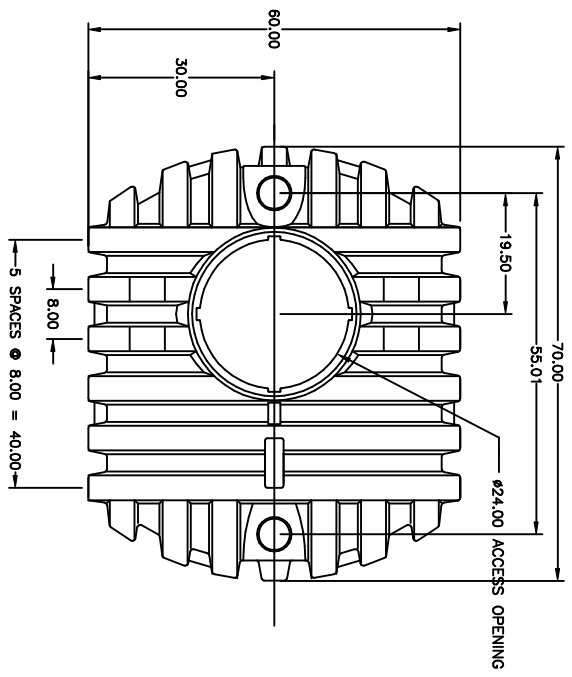
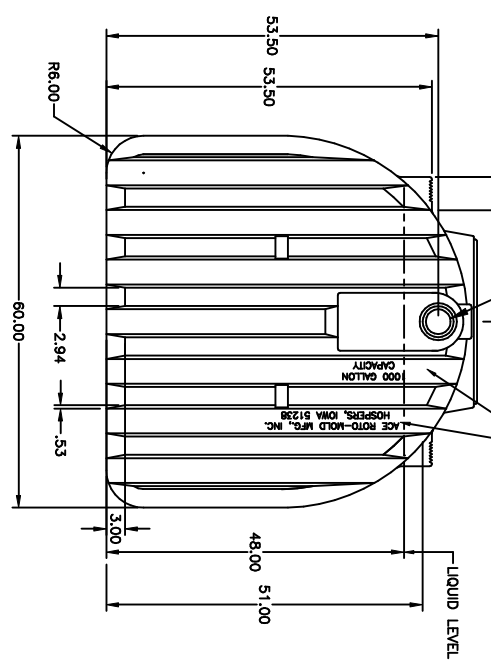


GASKET HUB X 2 - REF. DIAGRAM E DWG. 10035A

ENGRAVING ON OUTLET
END OF TANK ONLY.

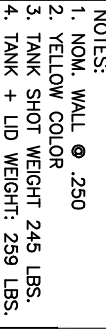


DRAWN / DATE		REH / 9/24/98	
B	CHANGED WEIGHT TO 245 LBS.	7/12/06	NVE
A	ADDED PUBLICATION REF	9/30/05	NVE
REV	DESCRIPTION	DATE	APPRD

MATERIAL	
MOBIL 111 HDPE OR EQUIVALENT REFERENCE MATERIAL DATA SHEET FOR SPECIFIC PROPERTIES.	REH / 9/24/98

NOTES:
 1. NOM. WALL @ .250
 2. YELLOW COLOR
 3. TANK SHOT WEIGHT 245 LBS.
 4. TANK + LID WEIGHT: 259 LBS.

ALL DIMENSIONS ARE IN DECIMAL INCHES
 TOLERANCES UNLESS OTHERWISE SPECIFIED
 + 1% @ 68° F



SCALE N.S. PART NO. TBS750GAL-70L



ChemIndustrial Systems, Inc.
 PO Box 500, Cedarburg, WI 53012

262-375-8570 • (Fax) 262-375-8559 • info@chemindustrial.com