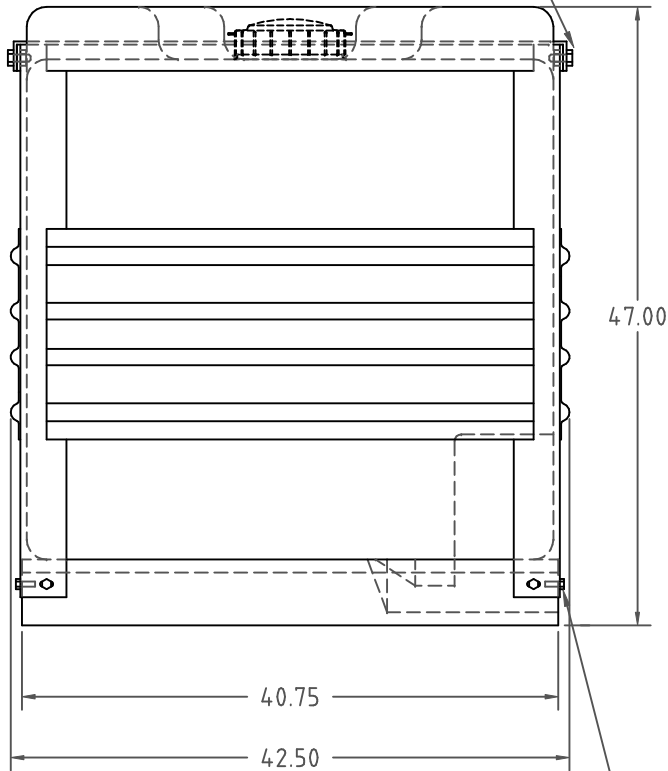


1/2-13x1 BOLT #12437
1/2-13 NUT #SJ10252

(X4)

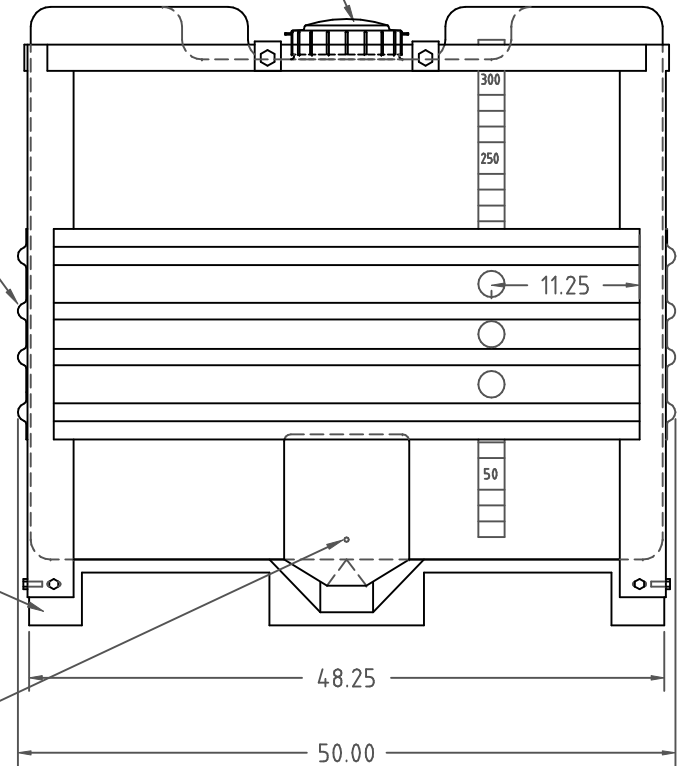


12414 7" LID AND
12460 LANYARD
12 IN. AND 16 IN.
OPTIONAL

CAGE#
SP150/300-PPFR

PALLET#
SP150/300-PPPL

2 INCH FITTING
STANDARD



8 x 3/8-16 x 3/4 HEX BOLT #10132
AND FLAT WASHER #SJ10937

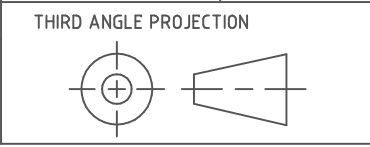
F	UPDATE TITLE BLOCK	6/29/07	GWC
E	CHANGE TO 7" LID CCN 1308	6/29/07	GWC
D	ADD HARDWARE PART#	2/15/07	
C	ADD VIEW HOLES	9/5/06	
B	ADD LID OPTIONS	8/30/06	
A	UPDATE DRAWING	3/27/06	
REV	DESCRIPTION	DATE	APVD

DRAWN	EVAN	DATE	4-7-95
APPROVED	GWC	DATE	6/29/207

MATERIAL	
PART WEIGHT	270 LBS

CSI
ChemIndustrial Systems, Inc.
PO Box 500, Cedarburg, WI 53012
262-375-8570 • (Fax) 262-375-8559 • info@chemindustrial.com

SCALE NONE
ALL DIMENSIONS ARE IN INCHES



PART NO.	PP300GAL-43L
----------	--------------