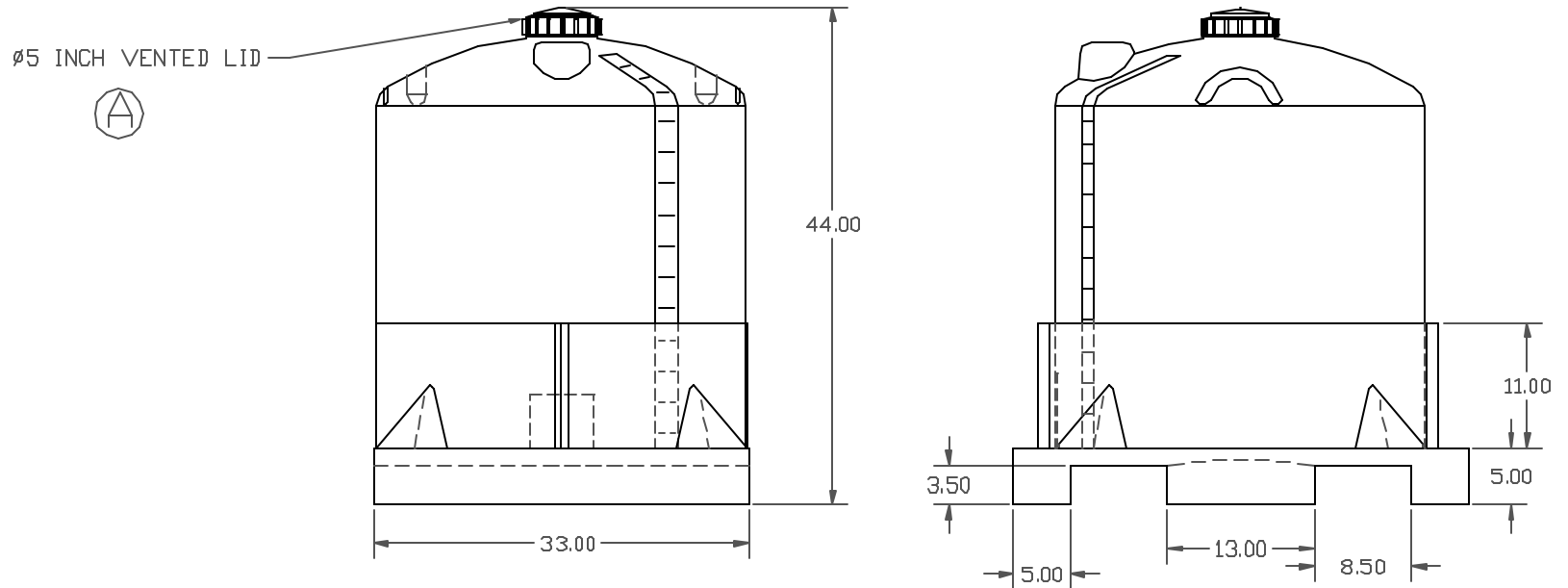
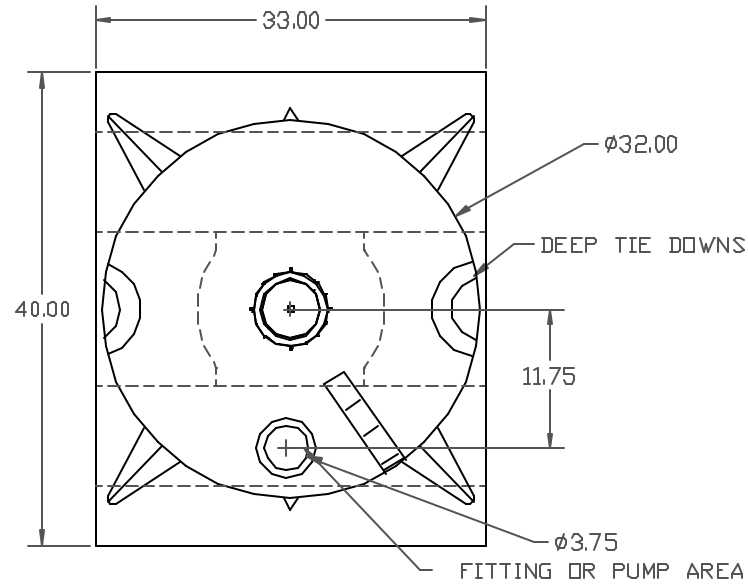


PP-TV110-40L



		DRAWN / DATE NVE 6/24/15		MATERIAL	
		APPRD. / DATE DHJ 9/21/15		HDPE OR EQUIVALENT REFERENCE MATERIAL DATA SHEET FOR SPECIFIC PROPERTIES.	
A	CLARIFY LID CCN1290	4/9/07	DHJ		
REV	DESCRIPTION	DATE	APPRD		
ALL DIMENSIONS ARE IN DECIMAL INCHES TOLERANCES UNLESS OTHERWISE SPECIFIED $\pm 1\% @ 68^\circ F$				THIRD ANGLE PROJECTION ANSI 14.5M 	
				NOTES: 1. BLACK AND WHITE COLOR 2. SHIP WEIGHT 66 LBS.	

CSI
 ChemIndustrial Systems, Inc.
 PO Box 500, Cedarburg, WI 53012
 262-375-8570 • (Fax) 262-375-8559 • info@chemindustrial.com

SCALE N.S.	PART NO. PP-TV110-40L
---------------	--------------------------