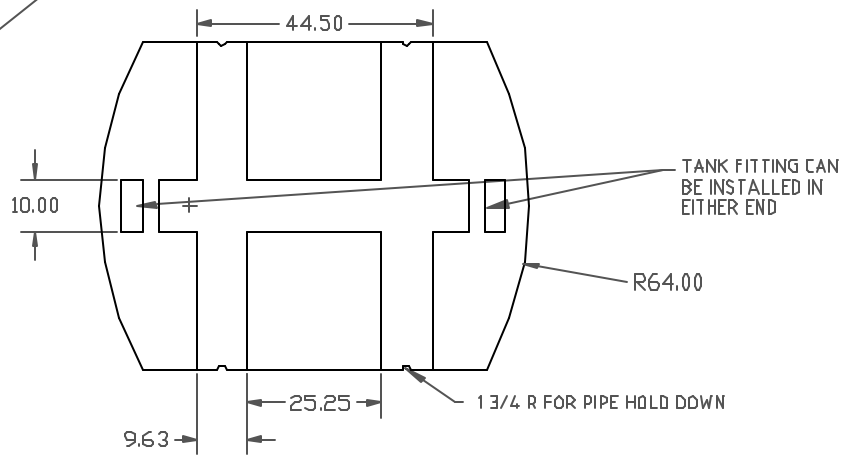



FRONT AND LEFT
SIDE OF TANK ARE
MARKED IN GALLONS



(B)

REV		DESCRIPTION	DATE	APPRD	DRAWN / DATE	MATERIAL	
B		CLARIFY STANDARD FITTING LOCATION	11/16/06		DHJ 3/15/94	HDPE OR EQUIVALENT REFERENCE MATERIAL DATA SHEET FOR SPECIFIC PROPERTIES.	
A		NEW DRAWING FORMAT	11/11/15	NVE	APPRD. / DATE		
					REH 4/12/17		
ALL DIMENSIONS ARE IN DECIMAL INCHES TOLERANCES UNLESS OTHERWISE SPECIFIED ± 1% @ 68° F					THIRD ANGLE PROJECTION ANSI 14.5M 		NOTES: 1. WHITE AND YELLOW COLOR 2. SHDT WEIGHT 298 LBS. 3. OPTIONAL 1", 1.5", 2", OR 3" FITTING 4. NOM. WALL 1.361



ChemIndustrial Systems, Inc.
 PO Box 500, Cedarburg, WI 53012
 262-375-8570 • (Fax) 262-375-8559 • info@chemindustrial.com

SCALE	N.S.	PART NO.
-------	------	----------