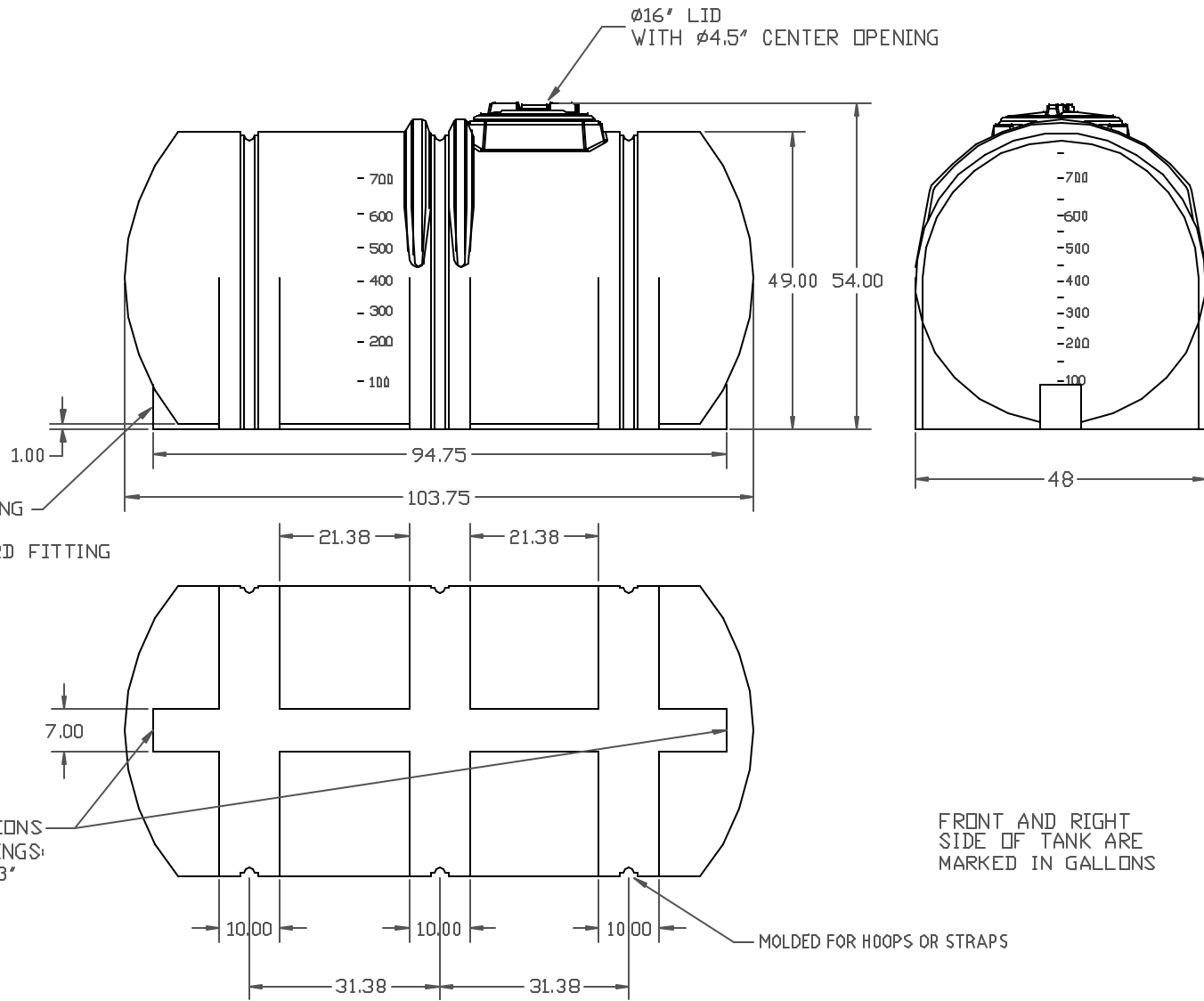



1. SPECIFIC GRAVITY IS 1.75
2. 1 PIECE ROTATIONALLY MOLDED
3. TRANSLUCENT
4. FDA APPROVED RESIN
5. CALIBRATED IN GALLONS
6. UV STABILIZED
7. FREE STANDING



FRONT AND RIGHT
SIDE OF TANK ARE
MARKED IN GALLONS

			DRAWN / DATE DHJ 12/3/97	MATERIAL
B	CLEARFY FITTING LOCATION	7/26/05 - DHJ	APPRO. / DATE	HDPE OR EQUIVALENT REFERENCE MATERIAL DATA SHEET FOR SPECIFIC PROPERTIES.
A	ADDED SUPPORTING RIBS AT CENTER	7/26/15 - NVE		
REV	DESCRIPTION	DATE	APPRD	
ALL DIMENSIONS ARE IN DECIMAL INCHES TOLERANCES UNLESS OTHERWISE SPECIFIED $\pm 1\% @ 68^{\circ} F$			THIRD ANGLE PROJECTION ANSI 14.5M 	NOTES: 1. BLACK, WHITE, YELLOW OR DESERT TAN COLOR 2. SHOT WEIGHT 250 LBS. 3. NOM. WALL @ .351



ChemIndustrial Systems, Inc.
 PO Box 500, Cedarburg, WI 53012
 262-375-8570 • (Fax) 262-375-8559 • info@chemindustrial.com

SCALE N.S.	PART NO.
---------------	----------