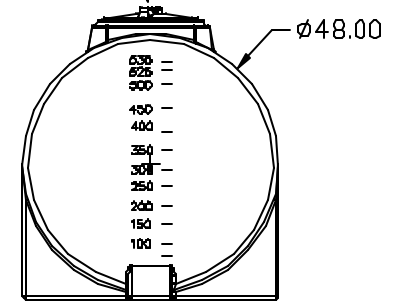
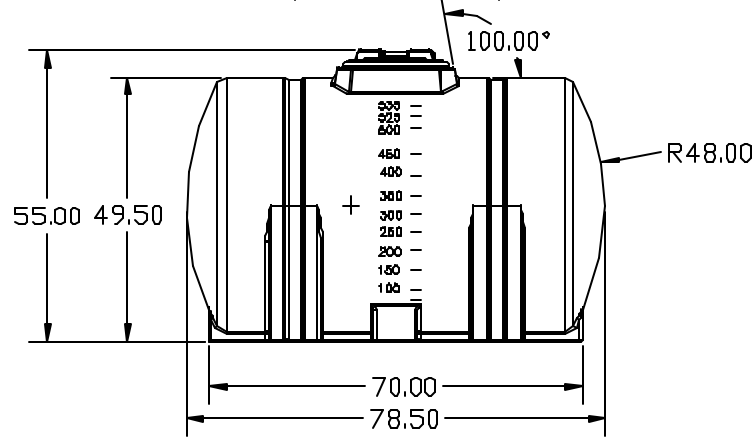
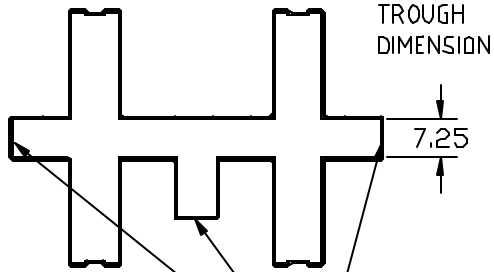


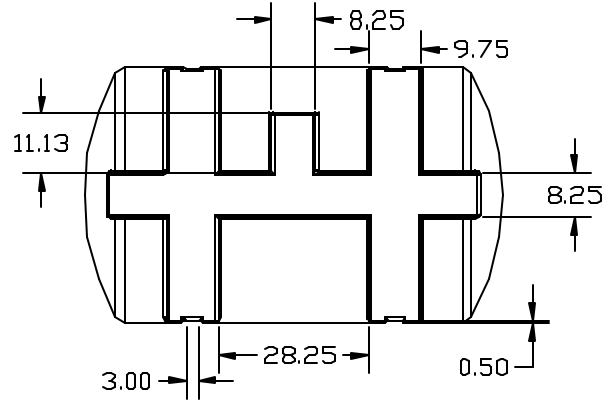
Ø16" LID
WITH AIR BREATHER


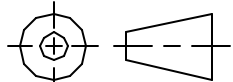


CUTAWAY VIEW OF BOTTOM INSIDE OF TANK
TROUGH PROMOTES
DRAINAGE OF
TANK



TANK FITTING CAN
BE INSTALLED ON
ANY OF THESE 3
SUMP LOCATIONS



				DRAWN / DATE NVE 7/25/15	MATERIAL		 ChemIndustrial Systems, Inc. PO Box 500, Cedarburg, WI 53012 262-375-8570 • (Fax) 262-375-8559 • info@chemindustrial.com
				APPRD. / DATE DHJ 11/14/15	HDPE OR EQUIVALENT REFERENCE MATERIAL DATA SHEET FOR SPECIFIC PROPERTIES.		
REV	DESCRIPTION	DATE	APPRO	THIRD ANGLE PROJECTION ANSI 15.5-1		NOTES: 1. WHITE, YELLOW, BLACK, GREEN, DESERT TAN, DR BLUE COLOR 2. SHOT WEIGHT 1611 LBS. 3. NOM. WALL @ .285	
ALL DIMENSIONS ARE IN DECIMAL INCHES TOLERANCES UNLESS OTHERWISE SPECIFIED ± 1% @ 68° F						SCALE N.S.	PART NO.