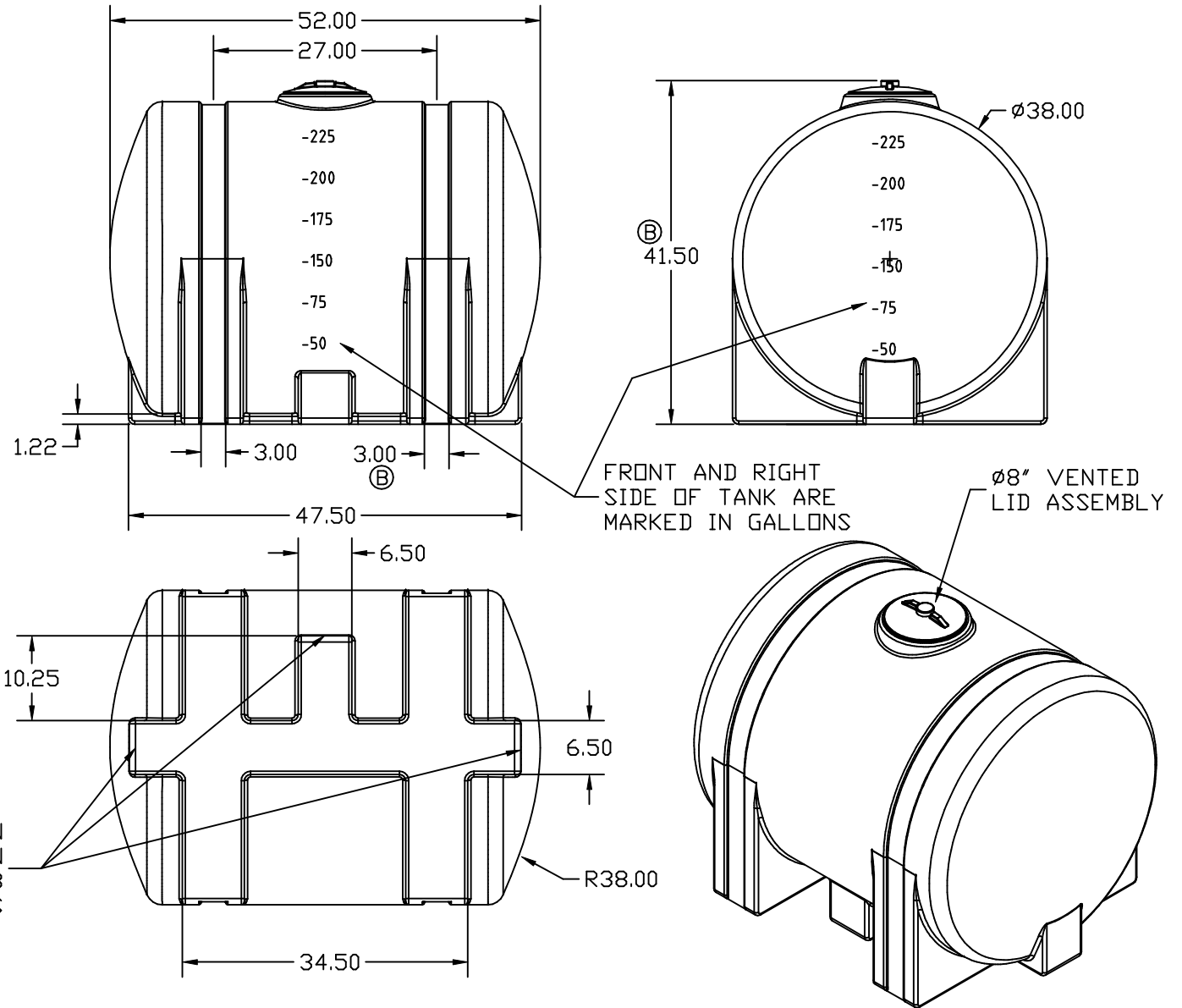


1. SPECIFIC GRAVITY IS 1.75
2. 1 PIECE ROTATIONALLY MOLDED
3. FDA APPROVED RESIN
4. CALIBRATED IN GALLONS
5. UV STABILIZED
6. FREE STANDING



				DRAWN / DATE DHJ 3/11/94	MATERIAL	<p style="text-align: center;">CSI ChemIndustrial Systems, Inc. PO Box 500, Cedarburg, WI 53012 262-375-8570 • (Fax) 262-375-8559 • info@chemindustrial.com</p>	
B	WIDTH WAS 2.5 AND HEIGHT WAS 4.3	7/25/06	NVE		HDPE OR EQUIVALENT REFERENCE MATERIAL DATA SHEET FOR SPECIFIC PROPERTIES.		
A	NEW DRAWING FORMAT	10/11/05	NVE	APPRD. / DATE			
REV	DESCRIPTION	DATE	APPRD				
ALL DIMENSIONS ARE IN DECIMAL INCHES TOLERANCES UNLESS OTHERWISE SPECIFIED $\pm 1\% @ 68^\circ F$				THIRD ANGLE PROJECTION ANSI 14.5M 	NOTES: 1. NOM. WALL @ 0.27 2. BLACK, WHITE, OR YELLOW COLOR 3. SHOT WEIGHT 85 LBS.	SCALE N.S.	PART NO.