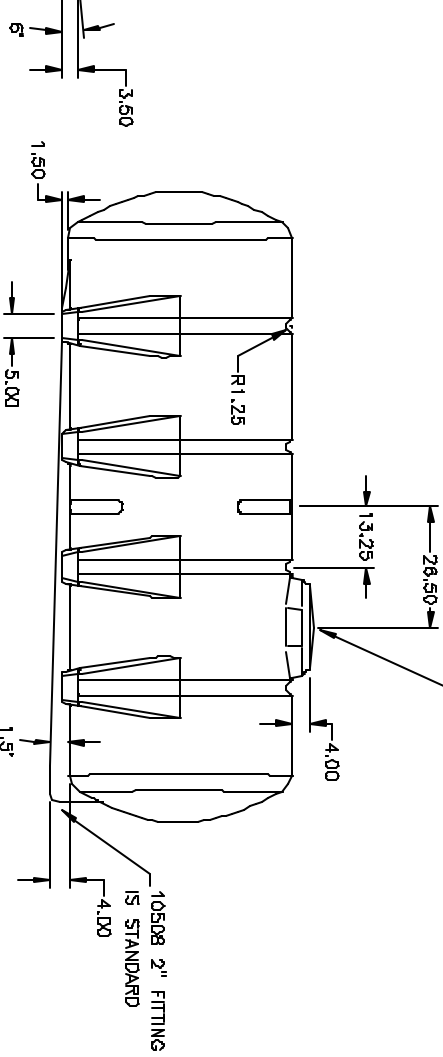
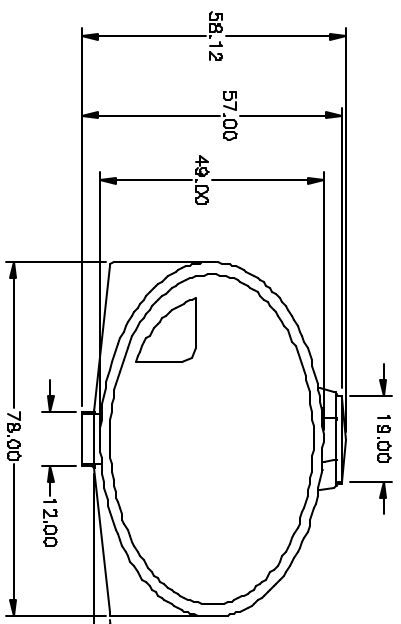
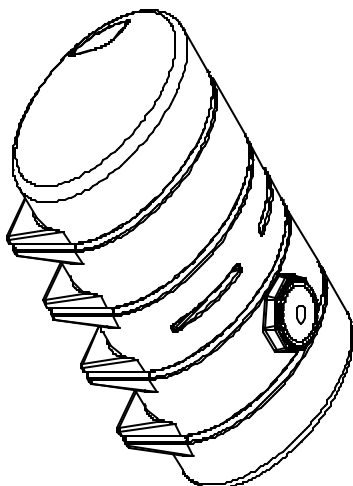


BAFFLE KEYS 4 PLACES
INSTALL BAFFLES AND STRUTS
FOR SHIPMENT. SEE FS1611-78
BAFFLE ASSEMBLY DIAGRAM.

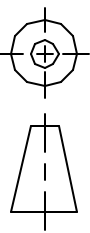


10528 18" VENTED LID AND
10534 LANYARD

10508 2" FITTING
IS STANDARD

REV	DESCRIPTION	DATE	APPRO	DRAWN / DATE	REH/3/11/16	MATERIAL
				APPRO. / DATE	REH/3/11/16	USE 3-PHASE RESIN REFERENCE MATERIAL DATA SHEET FOR SPECIFIC PROPERTIES.

THIRD ANGLE PROJECTION
ANSI Z39.1



NOTES:

- 1. NOM. WALL @ .375
- 2. WHITE DR YELLOW COLOR
- 3. SHOT WEIGHT 4.91 LBS.

ALL DIMENSIONS ARE IN DECIMAL INCHES
TOLERANCES UNLESS OTHERWISE SPECIFIED
± 1% @ 68° F

SCALE N.S.

ChemIndustrial Systems, Inc.
PO Box 500, Cedarburg, WI 53012
262-375-8570 • (Fax) 262-375-8559 • info@chemindustrial.com

PART NO. FHT1610GAL-PE-78D1A

