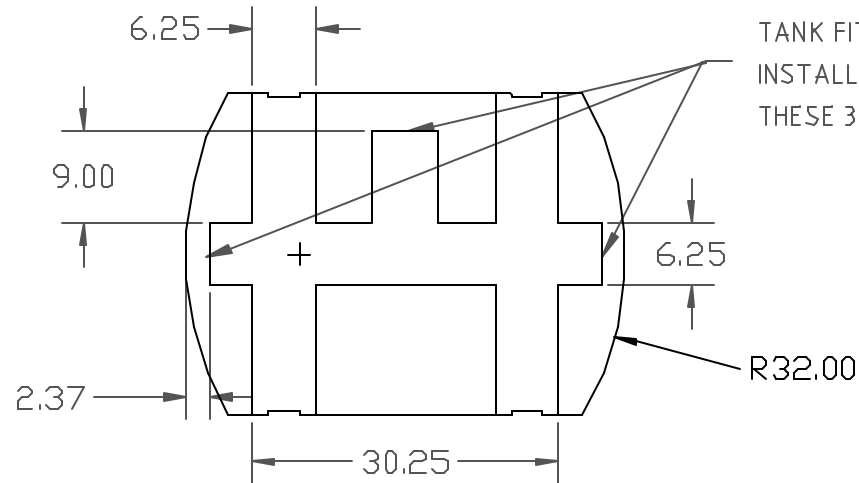
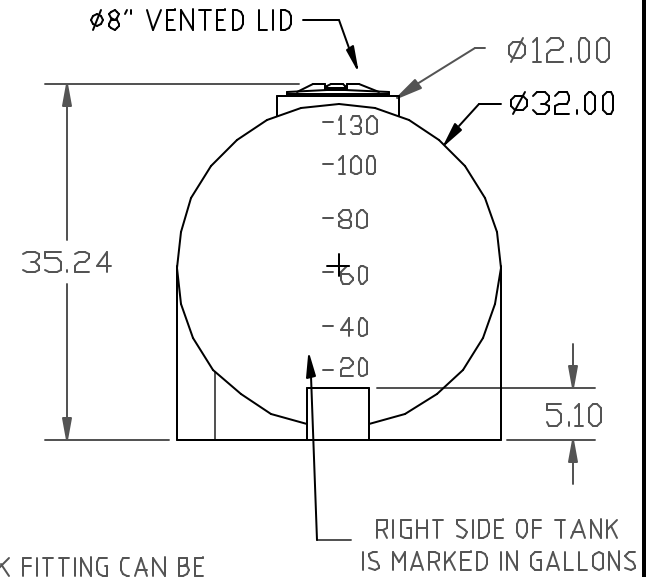
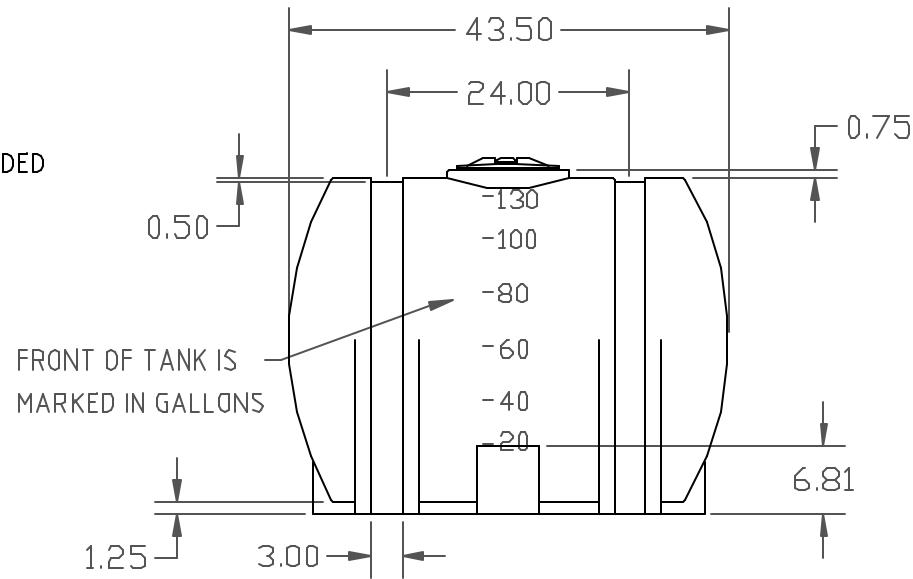


1. SPECIFIC GRAVITY IS 1.75
2. 1 PIECE ROTATIONALLY MOLDED
3. TRANSLUCENT
4. FDA APPROVED RESIN
5. CALIBRATED IN GALLONS
6. UV STABILIZED
7. FREE STANDING



REV	DESCRIPTION	DATE	APPRO

DRAWN / DATE
DHJ 3/11/94

APPRD. / DATE
xxxxxxx

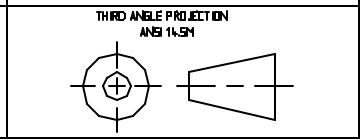
MATERIAL

HDPE OR EQUIVALENT
REFERENCE MATERIAL DATA SHEET
FOR SPECIFIC PROPERTIES.

CSI
ChemIndustrial Systems, Inc.
PO Box 500, Cedarburg, WI 53012
262-375-8570 • (Fax) 262-375-8559 • info@chemindustrial.com

ALL DIMENSIONS ARE IN DECIMAL INCHES
TOLERANCES UNLESS OTHERWISE SPECIFIED

± 1% @ 68° F



NOTES:

1. SHOT WEIGHT 56 LBS.
2. BLACK, GREEN, WHITE OR YELLOW COLOR

SCALE
N.S.

PART NO.