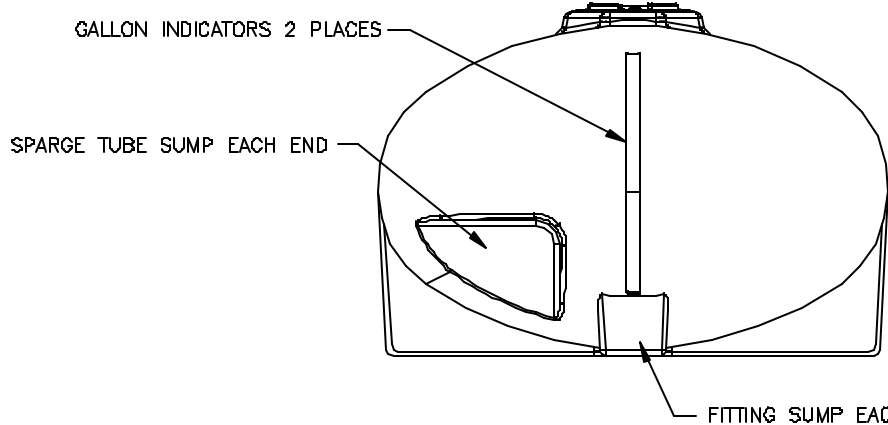


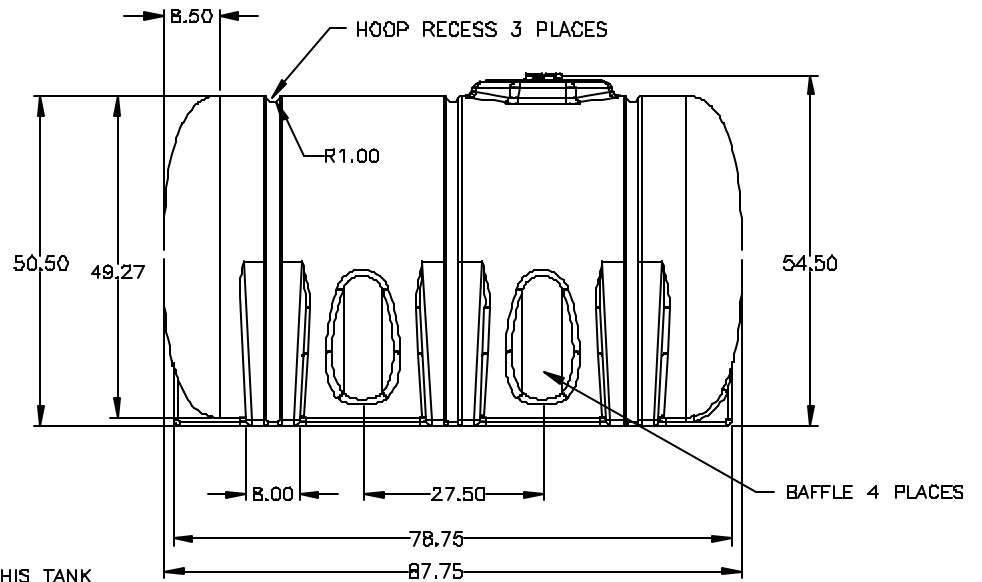
16" VENTED LID ASSEMBLY



GALLON INDICATORS 2 PLACES

SPARGE TUBE SUMP EACH END

FITTING SUMP EACH END



HOOP RECESS 3 PLACES

R1.00

50.50

49.27

54.50

8.00

27.50

BAFFLE 4 PLACES

78.75

87.75

NOTE: 3 HOOPS ARE REQUIRED ON THIS TANK

				DRAWN / DATE REH/9/19/00	MATERIAL: 280 LB. MDPE
				APPRD. / DATE REH/9/19/00	
REV	DESCRIPTION	DATE	APPRD		
ALL DIMENSIONS ARE IN DECIMAL INCHES TOLERANCES UNLESS OTHERWISE SPECIFIED ± 1% @ 68° F				THIRD ANGLE PROJECTION ANSI 14.3M 	NOTES: 1. AVAILABLE IN BLUE, BLACK, GREEN, WHITE, OR YELLOW COLOR. 2. NOM. WALL =.375

CSI
ChemIndustrial Systems, Inc.
PO Box 500, Cedarburg, WI 53012
262-375-8570 • (Fax) 262-375-8559 • info@chemindustrial.com

SCALE: N.S. PART NO.: