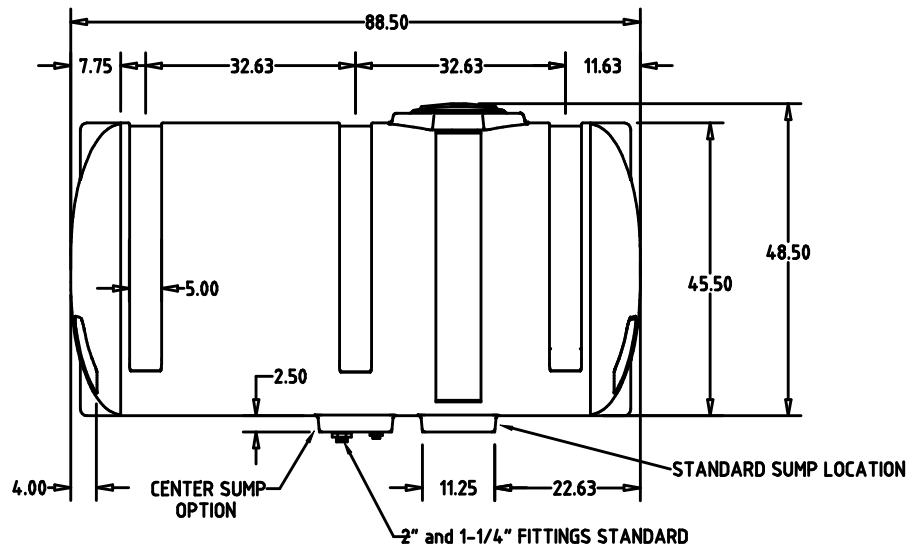
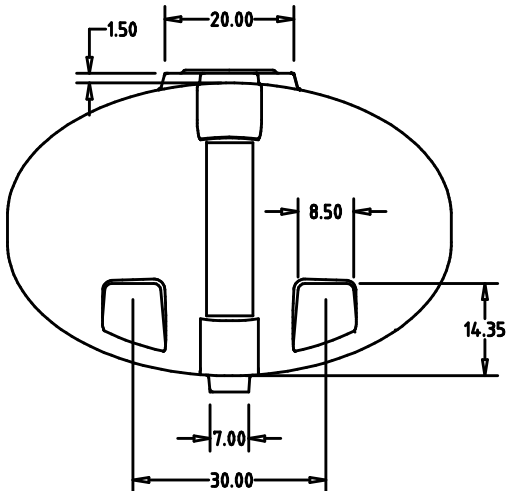


STANDARD LID IS 16" GALLON / LITER INDICATORS ONE SIDE AND ONE END
 GALLON CALIBRATIONS ARE IN 50 GAL. INCREMENTS



REV	DESCRIPTION	DATE	APPRD

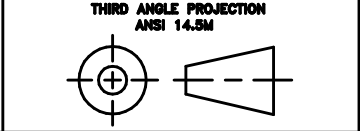
DRAWN / DATE
 DHJ/11/18/03

APPRD. / DATE

MATERIAL / SHOT WEIGHT
 246 LBS. POLYETHYLENE

CSI
 ChemIndustrial Systems, Inc.
 PO Box 500, Cedarburg, WI 53012
 262-375-8570 • (Fax) 262-375-8559 • info@chemindustrial.com

ALL DIMENSIONS ARE IN DECIMAL INCHES
 TOLERANCES UNLESS OTHERWISE SPECIFIED
 + .5% ● 68° F



NOTES:
 1. .330 NOMINAL WALL

SCALE
 N.S.

PART NO.