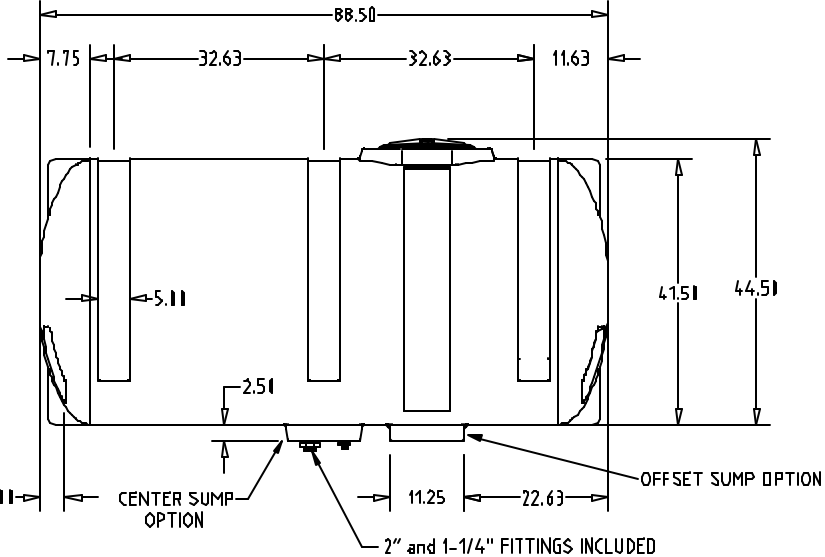
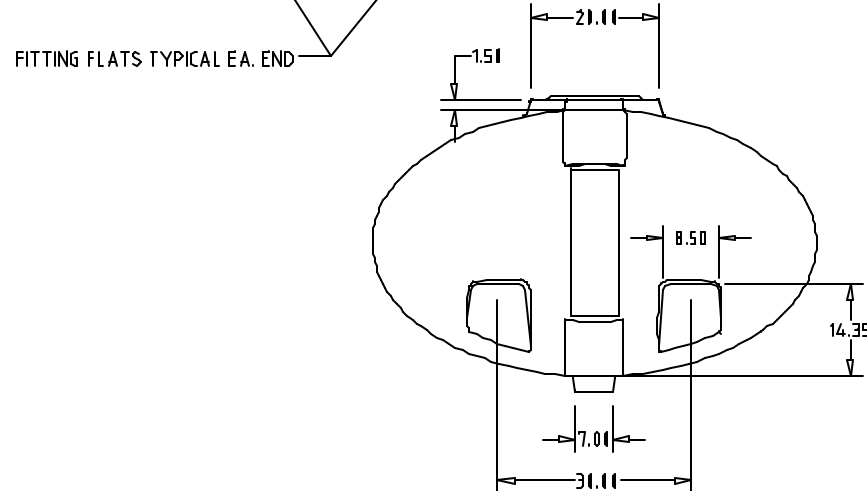


STANDARD LID IS 16" GALLON / LITER INDICATORS ONE SIDE AND ONE END
 GALLON CALIBRATIONS ARE IN 50 GAL. INCREMENTS



2" and 1-1/4" FITTINGS INCLUDED

REV	DESCRIPTION	DATE	APPRD

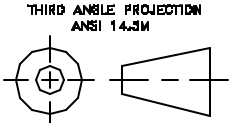
DRAWN / DATE	REH/2/14/02
APPRD. / DATE	REH/2/14/02

MATERIAL / SHOT WEIGHT			
M111	M134	U625	P938
	220		

CSI
 ChemIndustrial Systems, Inc.
 PO Box 500, Cedarburg, WI 53012
 262-375-8570 • (Fax) 262-375-8559 • info@chemindustrial.com

SCALE **N.S.** PART NO. _____

ALL DIMENSIONS ARE IN DECIMAL INCHES
 TOLERANCES UNLESS OTHERWISE SPECIFIED
 ± .5% @ 68° F



NOTES:
 1. .330 NOMINAL WALL
 2. BLACK, GREY, WHITE,
 OR YELLOW COLOR