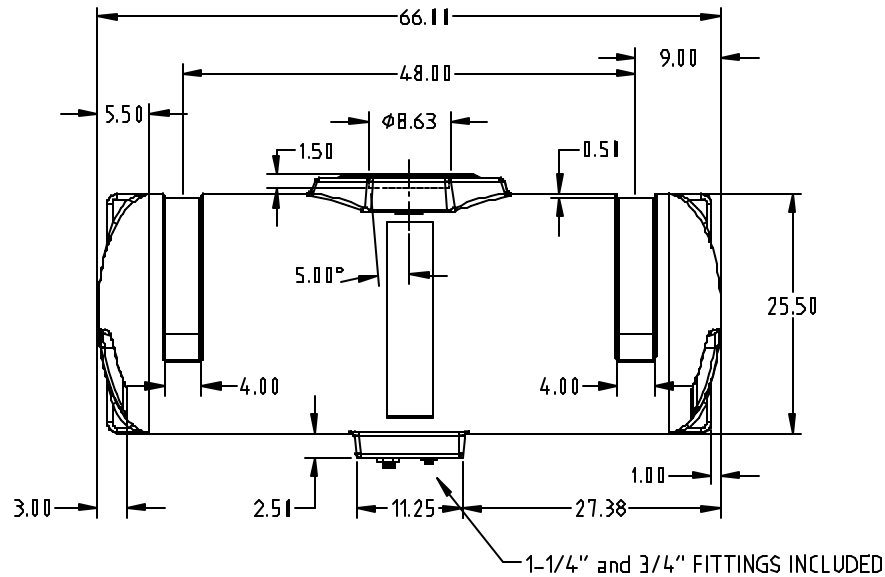
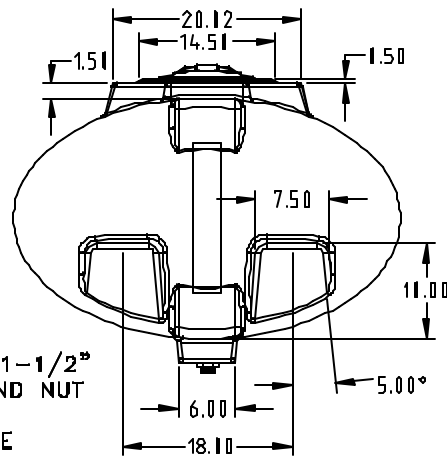


STD. LID IS 8", 12" OR 16" OPTIONAL

GALLON / LITER INDICATORS ONE SIDE AND ONE END.
GALLON CALIBRATIONS ARE IN 25 GAL. INCREMENTS



GENERAL NOTES:

1. USE .027 IN./IN. SHRINK ALLOWANCE
2. MOLD TO BE FULLY WELDED INSIDE AND STITCH WELDED OUTSIDE
3. CLAMPING TO BE WITH 1/2" X 1-1/2" GRADE 8 BOLTS, GRADE 5 NUTS AND NUT HOLDERS.
4. LID RING RECESS TO HAVE KNIFE EDGE ON INSERT TO MINIMIZE TRIMMING.

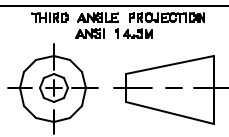
REV	DESCRIPTION	DATE	APPRD

DRAWN / DATE	REH/4/16/01
APPRD. / DATE	REH/4/16/01

MATERIAL / SHOT WEIGHT			
M111	M134	U625	P938
	82		

NOTES:
1. .260 NOMINAL WALL

ALL DIMENSIONS ARE IN DECIMAL INCHES
TOLERANCES UNLESS OTHERWISE SPECIFIED
± .5% @ 68° F





ChemIndustrial Systems, Inc.
PO Box 500, Cedarburg, WI 53012
262-375-8570 • (Fax) 262-375-8559 • info@chemindustrial.com

SCALE	N.S.	PART NO.
-------	------	----------