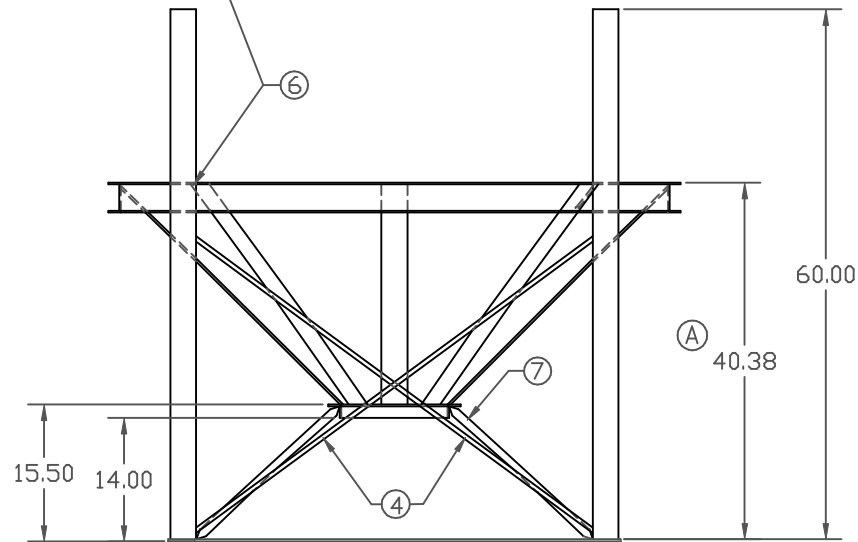
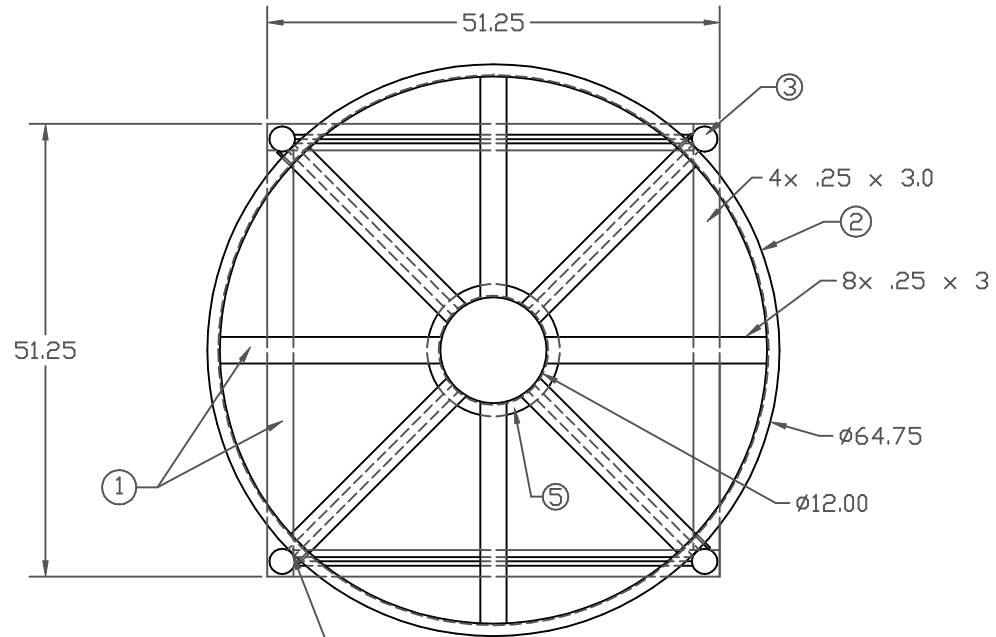


KEY	PART NUMBER	DESCRIPTION	QTY.
1	BQ2500X30000	1/4 X 3 FLAT BAR	469 IN
2	CD 3 X 4.1	3" MILD STEEL CHANNEL	218 IN
3	P25000	2 1/2" SIZE TUBING (2.88 OD .20 WALL) 12 IN LEFT OVER	4 @ 60 IN
4	R05000	1/2" MILD STEEL ROD	4 @ 55 IN
5	RAR-12	12" ROLLED ANGLE	1
6	SJ10306	CB STAND BRACKET	4
7	T1000X01090	1" OD ROUND MILD X .109 (.75 ID .125 WALL)	4 @ 29 1/4 IN



(A)

REV	DESCRIPTION	DATE	APPRD	DRAWN / DATE	MATERIAL
A	ADDED B.O.M., CHANGED 40 TO 40.38	5/16/06	NVE	DHJ 2/10/03	MILD STEEL
				APPRD. / DATE	

ALL DIMENSIONS ARE IN DECIMAL INCHES
TOLERANCES UNLESS OTHERWISE SPECIFIED
+ 1% @ 68° F

THIRD ANGLE PROJECTION
ANSI 14.5M

NOTES:
1. BLACK COLOR - POWDER COATED
2. WEIGHT 320 LBS.

CSI
ChemIndustrial Systems, Inc.
PO Box 500, Cedarburg, WI 53012
262-375-8570 • (Fax) 262-375-8559 • info@chemindustrial.com

SCALE
N.S.

PART NO.