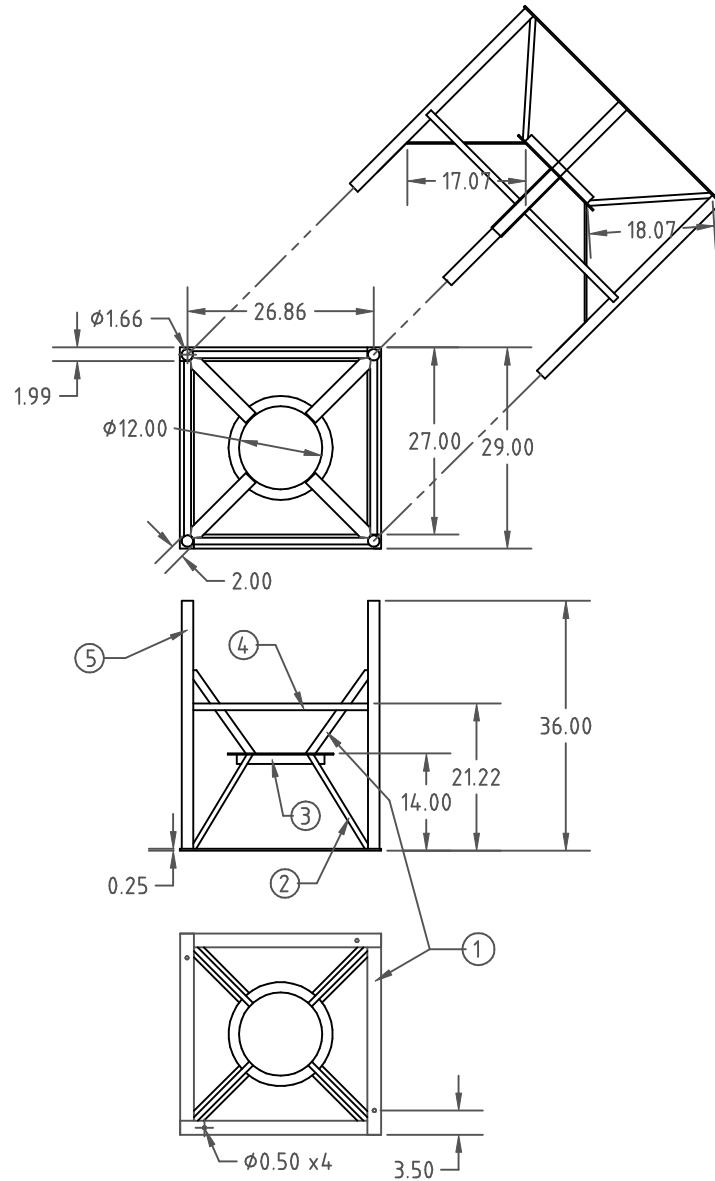


KEY	PART NUMBER	DESCRIPTION	QTY.
1	B02500X20000	1/4 X 2 FLAT	180 IN
2	P05000	1/2" SIZE TUBING	71 IN
3	RAR-12	12" ROLLED ANGLE	1
4	T1000X01090	1" OD ROUND MILD X .109	101 IN
5	T1660X01090	1.66 RD MILD STL FULL	144 IN



				DRAWN / DATE DHJ 4/16/04	MATERIAL MILD STEEL
A	ADDED HOLE SPACING DIMS AND B.O.M.	5/15/06	NVE	APPRD. / DATE	NOTES: 1. BLACK COLOR - POWDER COATED 2. WEIGHT 63 LBS.
REV	DESCRIPTION	DATE	APPRD		
ALL DIMENSIONS ARE IN DECIMAL INCHES TOLERANCES UNLESS OTHERWISE SPECIFIED $\pm 1\% @ 68^\circ F$				THIRD ANGLE PROJECTION ANSI 14.5M 	SCALE N.S.

CSI
 ChemIndustrial Systems, Inc.
 PO Box 500, Cedarburg, WI 53012
 262-375-8570 • (Fax) 262-375-8559 • info@chemindustrial.com

SCALE N.S.	PART NO.
---------------	----------