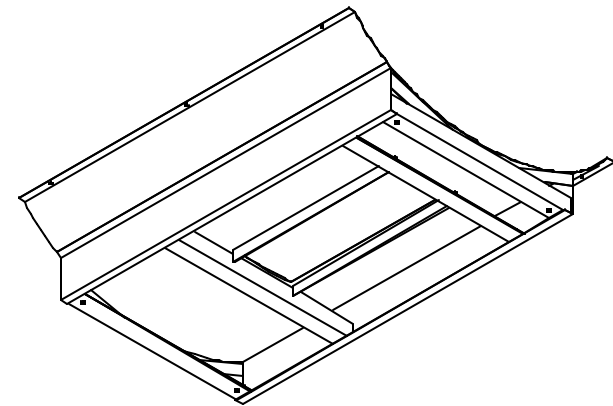
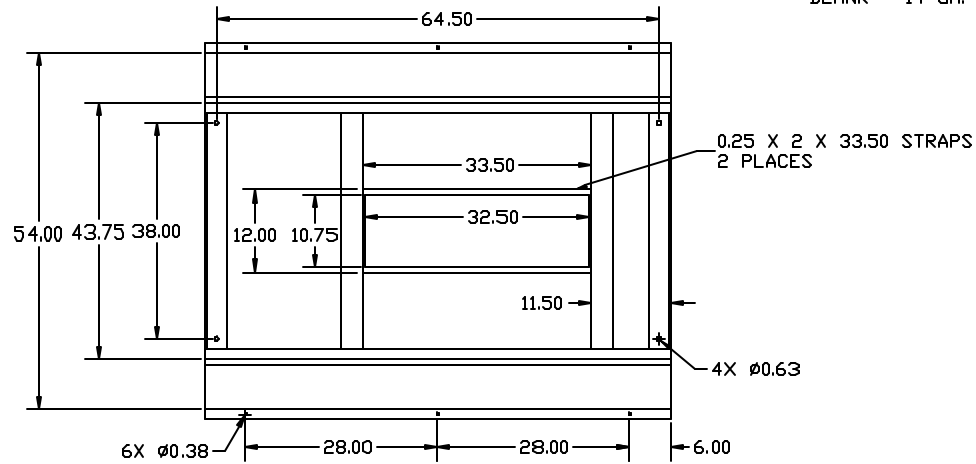
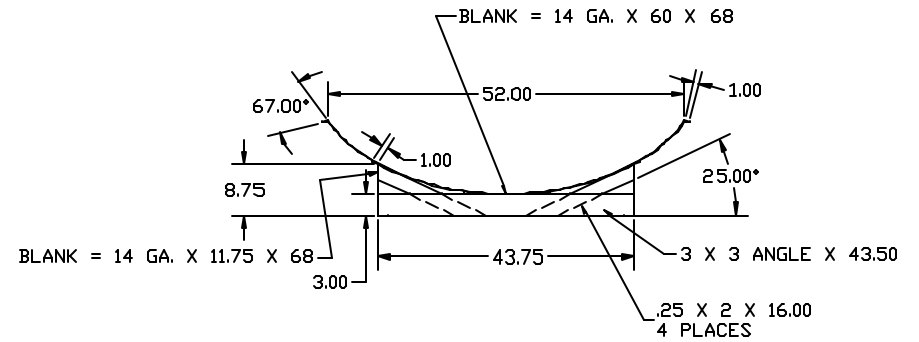
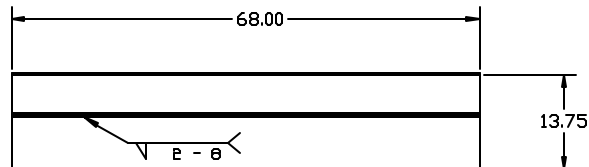
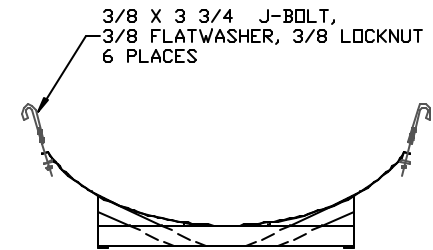


14 GA. SILVER POWDER COATED
 BAND WEIGHT: 7.64 LBS.
 TANK BANDS - 3 REQUIRED



				DRAWN / DATE NVE 8/24/15	MATERIAL MILD STEEL
				APPRD. / DATE DHJ 12/9/15	
REV	DESCRIPTION	DATE	APPRD	THIRD ANGLE PROJECTION ANSI 14.5M	NOTES: 1. BLACK COLOR - POWDER COATING 2. CRADLE WEIGHT 212 LBS.
ALL DIMENSIONS ARE IN DECIMAL INCHES TOLERANCES UNLESS OTHERWISE SPECIFIED ± 1% @ 68° F					

CSI
 Chemindustrial Systems, Inc.
 PO Box 500, Cedarburg, WI 53012
 262-375-8570 • (Fax) 262-375-8559 • info@chemindustrial.com

SCALE: N.S. PART NO.: